

Mountable High Pressure Water Steel Hose Reel

CONAH



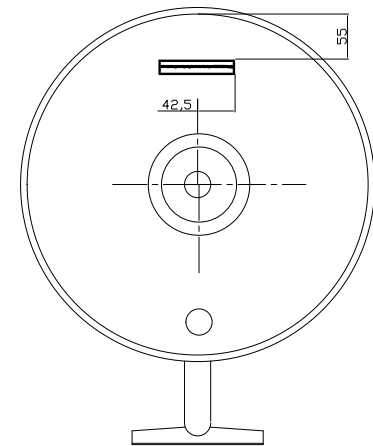
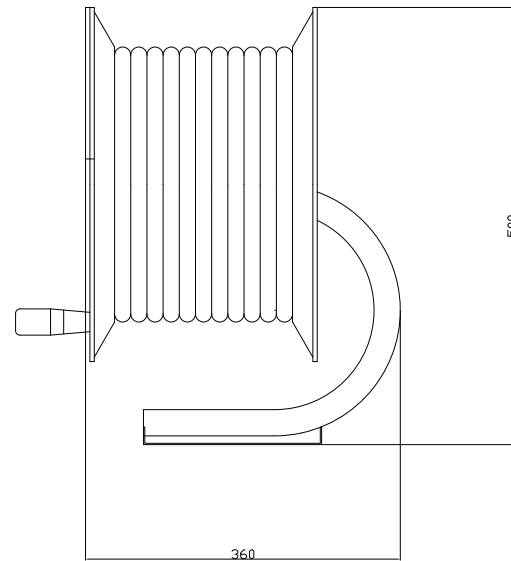
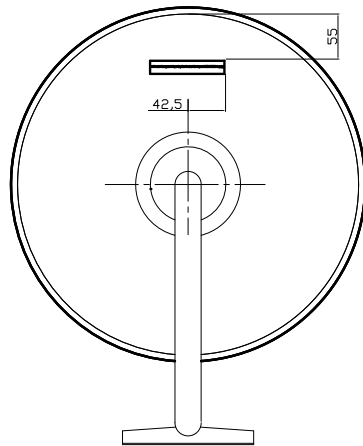
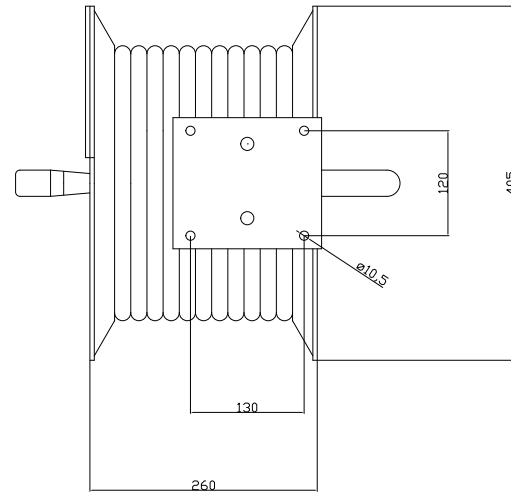
Features

- Heavy duty steel construction
- Corrosion-resistant powder coating
- Robust reinforced base construction
- Four-direction non-snap rollers
- Multi-position ratchet lock
- Spring fully enclosed and lubricated
- Full flow swivel prevents leakage
- Nine position guide arm adjustment

Benefits

- Long lasting
- Used in most environments
- Stable support
- Reduces hose wear
- Easy tension adjustment
- Low maintenance
- Versatile usage
- Permits wall, ceiling or floor mount

High Pressure Water Hose Reel	
SWHR-30-38MB222K	
Hose material	2 wire rubber
Hose working length	30m
Hose internal bore	3/8"
Inlet	3/8" BSP female
Outlet	M22 x 1.5 female
Maximum working pressure	150 bar (2,175 psi)
Working temperature	-40°C to +155°C



UNLESS OTHER WISE STATED		NAME	DATE	TITLE
DIMENSIONS IN MM	DRAWN	DB	28032013	CONAH HOSE REEL
TOLERANCES	CHECKED			
FRACTIONAL +/- 0.10	ENG APP			
± DECIMAL PLACES +/- 0.1	MFG APP			SIZE DWG NO
MATERIAL		GA		A SWHR-30-38
COMMENTS				SCALE 1:1 WEIGHT SHEET 1 OF 1

Assembly Instructions for Feed Hose to Hose Reel

STAGE 1
Standard
Hose Reel



STAGE 5
Thread
your Feeder
Hose
through the
Rotating
Joint
Connection
on Hose
Reel



STAGE 2
Remove
Clip from
Brass
Rotating
Joint



STAGE 6
Thread Feeder
Hose through
till Rotating
Joint butts up
to Hose Reel
and protrudes
out of angle on
Fixing Bracket
(1mtr of hose
required)



STAGE 3
Remove
Brass
Rotating
Joint from
Hose Reel



STAGE 7
Replace
Clip on
to Brass
Rotating
Joint



STAGE 4
Attach your Feeder Hose to the
3/8" BSPP Female Thread on
Brass Rotating Joint



STAGE 8
Assembly
Instruction
for Feed
Hose
Complete

