

Bestellzeichen:

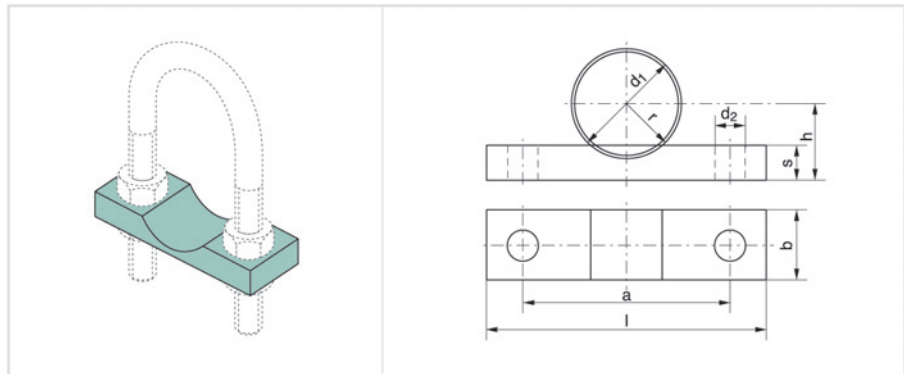
Polypropylen **KUPL**
Polyamid 6 **KUNL**

Bei Bedarf Standardkurzzeichen KUPL in der Spalte „Bestellzeichen“ austauschen.

Order codes:

Polypropylene **KUPL**
Polyamide 6 **KUNL**

Replace standard abbreviation KUPL in column "Order codes" as required.



| Nenngröße Nominal size | für Rohr for tube | | Bestellzeichen Order Codes | l | b | s | h | r | a | d ₂ |
|---------------------------|----------------------|----------------|-------------------------------|-----|-----|-----|-------|--------|-----|----------------|
| | NW | d ₁ | | | | | | | | |
| 15 | 3/8" | 17,2 | KUPL-15/17,2 | 60 | 25 | 10 | 13,5 | 8,6 | 34 | 11 |
| | 1/2" | 21,3 | KUPL-15/21,3 | | | | 15,5 | 10,65 | | |
| 20 | 3/4" | 25 | KUPL-20/25 | 75 | 30 | 12 | 17,5 | 12,5 | 40 | |
| | | 26,9 | KUPL-20/26,9 | | | | 18,5 | 13,45 | | |
| 25 | 1" | 30 | KUPL-25/30 | 80 | 35 | 15 | 20 | 15 | 48 | |
| | | 33,7 | KUPL-25/33,7 | | | | 22 | 16,85 | | |
| 32 | 1 1/4" | 38 | KUPL-32/38 | 90 | 40 | 20 | 24 | 19 | 56 | |
| | | 42,4 | KUPL-32/42,4 | | | | 26,2 | 21,2 | | |
| 40 | 1 1/2" | 44,5 | KUPL-40/44,5 | 95 | 45 | 25 | 27,2 | 22,25 | 62 | |
| | | 48,3 | KUPL-40/48,3 | | | | 29 | 24,15 | | |
| 50 | 2" | 57 | KUPL-50/57 | 110 | 50 | 30 | 33,5 | 28,5 | 76 | |
| | | 60,3 | KUPL-50/60,3 | | | | 35,2 | 30,15 | | |
| 65 | 2 1/2" | 76,1 | KUPL-65/76,1 | 135 | 55 | 35 | 43 | 38,05 | 94 | |
| | | 88,9 | KUPL-80/88,9 | | | | 54,5 | 44,45 | | |
| 100 | 4" | 108 | KUPL-100/108 | 190 | 60 | 40 | 64 | 54 | 136 | |
| | | 114,3 | KUPL-100/114,3 | | | | 67 | 57,15 | | |
| 125 | 5" | 133 | KUPL-125/133 | 220 | 65 | 45 | 76,5 | 66,5 | 164 | |
| | | 139,7 | KUPL-125/139,7 | | | | 80 | 69,85 | | |
| 150 | 6" | 159 | KUPL-150/159 | 250 | 70 | 50 | 91,5 | 79,5 | 192 | |
| | | 168,3 | KUPL-150/168,3 | | | | 96 | 84,15 | | |
| 175 | 8" | 193,7 | KUPL-175/193,7 | 270 | 75 | 55 | 109 | 96,85 | 218 | |
| | | 216 | KUPL-200/216 | | | | 120 | 108 | | |
| 200 | 8" | 219,1 | KUPL-200/219,1 | 315 | 80 | 60 | 121,5 | 109,55 | 248 | |
| | | 267 | KUPL-250/267 | | | | 145,5 | 133,5 | | |
| 250 | 10" | 273 | KUPL-250/273 | 370 | 85 | 65 | 148,5 | 136,5 | 302 | |
| | | 318 | KUPL-300/318 | | | | 174 | 159 | | |
| 300 | 12" | 323,9 | KUPL-300/323,9 | 420 | 90 | 70 | 177 | 161,95 | 352 | |
| | | 355,6 | KUPL-350/355,6 | | | | 193 | 177,8 | | |
| 350 | 14" | 368 | KUPL-350/368 | 480 | 95 | 75 | 199 | 184 | 402 | |
| | | 406,4 | KUPL-400/406,4 | | | | 218 | 203,2 | | |
| 400 | 16" | 419 | KUPL-400/419 | 540 | 100 | 80 | 224,5 | 209,5 | 452 | |
| | | 508 | KUPL-500/508 | | | | 269 | 254 | | |
| 500 | 20" | 521 | KUPL-500/521 | 640 | 105 | 85 | 276 | 260,5 | 554 | |
| | | 558,8 | KUPL-550/558,8 | | | | 300 | 279,4 | | |
| 550 | 22" | 558,8 | KUPL-550/558,8 | 700 | 110 | 90 | 325 | 304,8 | 652 | |
| | | 609,6 | KUPL-600/609,6 | | | | 350 | 330,2 | | |
| 600 | 24" | 609,6 | KUPL-600/609,6 | 750 | 115 | 95 | 376 | 355,6 | 760 | |
| | | 660,4 | KUPL-650/660,4 | | | | 401 | 381 | | |
| 650 | 26" | 660,4 | KUPL-650/660,4 | 810 | 120 | 100 | 376 | 355,6 | 760 | |
| | | 700 | KUPL-700/711,2 | | | | 401 | 381 | | |
| 700 | 28" | 711,2 | KUPL-700/711,2 | 870 | 125 | 105 | 401 | 381 | 815 | |
| | | 750 | KUPL-750/762 | | | | 401 | 381 | | |

Rundstahlbügel sind mit Kunststoff-Rohrunterlagen kombinierbar. Bügel und Rohrunterlagen können auch einzeln bezogen werden.

RUBLS mit KUPK oder KUPL sind als Gleit- und Festschellen einsetzbar.

U-Bolt clamps can be combined with plastic pipe saddles. U-Bolts and pipe saddles are also available in single pieces.

RUBLS with KUPK or KUPL may be used as glide- and fixed tube clamps.