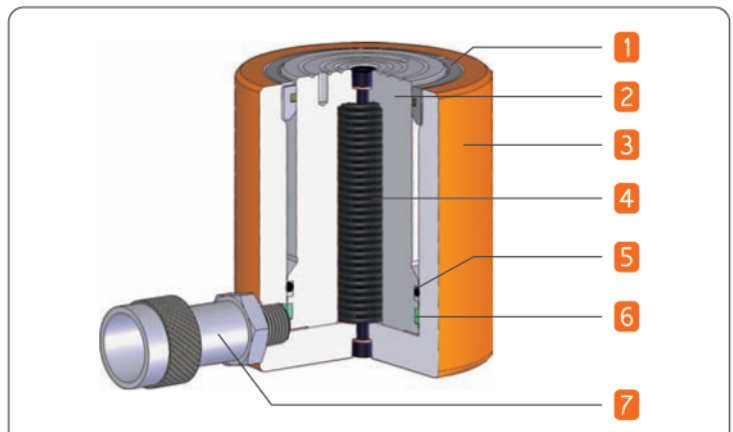
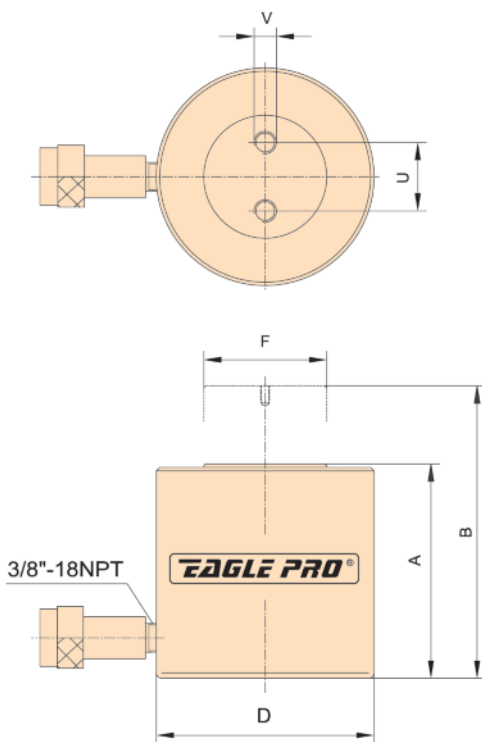


ESL-SERIES

ESL-SERIES

► Features

- ◆ Low profile design for use in confined spaces.
- ◆ Complies with ASME B30.1. High strength steel for durability and increased safety.
- ◆ Single-acting increased return.
- ◆ High quality EAB-201 quick couplers.
- ◆ Grooved piston ram with threaded holes for mounting tilt saddles.
- ◆ Environmentally friendly painting process provides a durable anti-corrosion finish.



1. Steel guide ring eliminates over travel, and also provides support to reduce wear from off center loads.
2. Hardened and chromed piston increase durability and reduces wear.
3. All steel body with baked enamel finish for durability.
4. High strength return spring .
5. Industrial seal ring assembly prevent costly leaks.
6. Bearing ring provides additional support to reduce wear from off center loads.
7. Standard coupler on all cylinders provided with heavy duty dust cover.

Cylinder Capacity @700bar	Stroke	Model	Cylinder Effective Area	Oil Capacity	Collapsed Height	Extended Height	Outside Diameter	Piston Rod Diam.	Upside Dimension		Weight
					A	B			Thread	Bolt Circle	
ton	in		in ²	in ³	in	in	in	in	mm	in	lbs
10	1.50	ESL-101	2.23	3.36	3.46	4.96	2.72	1.50	M4	1.02	9.02
20	1.73	ESL-201	4.43	7.69	3.90	5.63	3.62	2.01	M5	1.56	11.22
30	2.44	ESL-302	6.49	15.86	4.65	7.09	4.02	2.60	M5	1.56	14.96
45	2.36	ESL-502	9.63	22.75	4.80	7.17	4.88	2.76	M5	1.56	23.98
90	2.24	ESL-1002	19.67	44.10	5.55	7.80	6.46	3.62	M8	2.19	49.94