

# Cim 229

## RIGHT ANGLE FULL BORE BALL VALVE - TYP T10 - FEMALE/FEMALE - PN40



This article was made in compliance with the quality management requirements of standard ISO 9001:2008. All articles are tested according to the standard EN 12266-1:2003.

It can be used in a wide variety of sectors: heating, air conditioning, water, sanitary systems, pneumatic systems, oil pipelines, gasoline networks, saturated steam and generally with any non corrosive liquid.

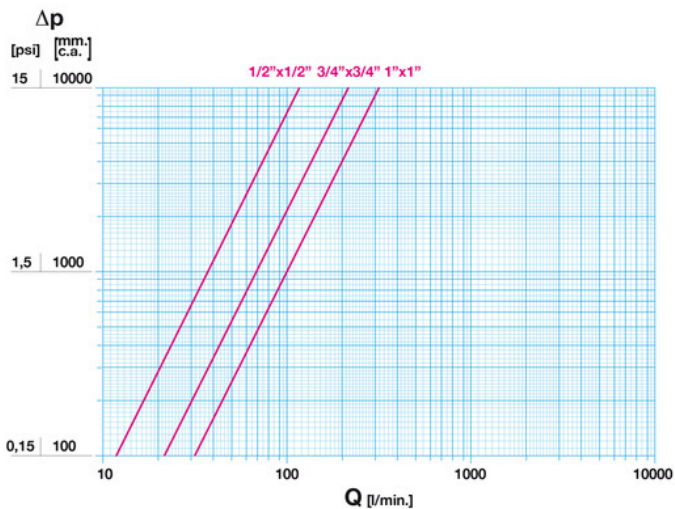
It is guaranteed for 5 years.

It is made of a brass alloy that complies with standard EN 12165-CW617N-M.

Nominal Pressure: PN40

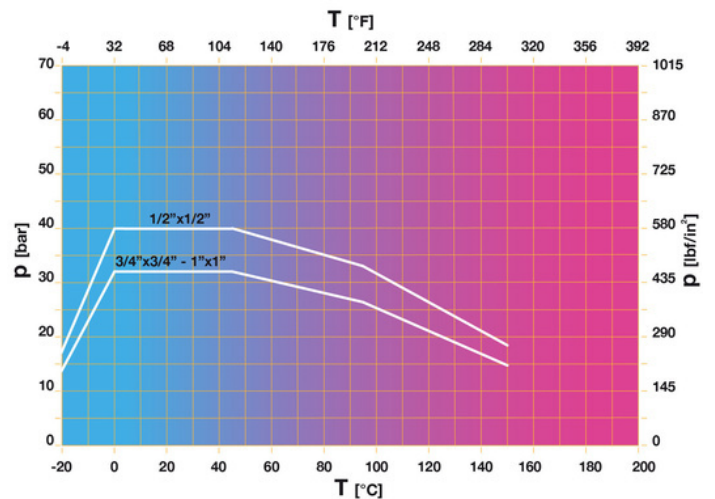
Operating temperature: -20 to 150°C

### FLOW AND PRESSURE DROP



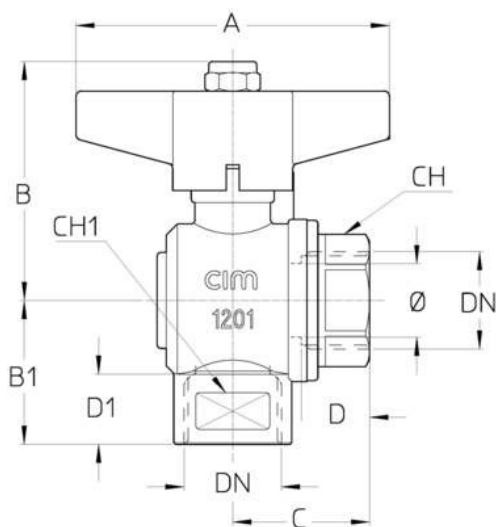
Notes:  
 1 l/min = 0,06 m<sup>3</sup>/h  
 1 m<sup>3</sup>/h = 16,67 l/min  
 1 bar = 10.000 mm w.c.  
 1 psi = 690 mm w.c.

### PRESSURE TEMPERATURE RATINGS



Notes:  
 1 bar = 14,5 psi  
 1 bar = 14,5 lbf/in<sup>2</sup>  
 $^{\circ}\text{C} = \frac{5}{9} \times (^{\circ}\text{F} - 32)$   
 $^{\circ}\text{F} = 32 + \left(\frac{9}{5} \times ^{\circ}\text{C}\right)$

## TECHNICAL DRAWING



DN	1/2"x1/2"	3/4"x3/4"	1"x1"
Ø mm	15	20	25
<b>Grms.</b>	<b>265</b>	<b>545</b>	<b>755</b>
A	70	85	85
B	53	65	69
B1	35	39	47
C	31	37	44
D	16	18,5	22
D1	17	18	22
CH	25	32	41
CH1	27	32	41

Thread:  
ISO 7 - Rp

Upon request:  
ISO 7 - Rc  
ANSI B1.20.1 - NPT

## TECHNICAL CHARACTERISTICS

KV CM CS MT			
DN	1/2"x1/2"	3/4"x3/4"	1"x1"
Ø mm	15	20	25
KV	7	13	19
CM	3	4	5
CS	6	10	12
MT	20	45	45

KV = Capacity in m<sup>3</sup>/h at pressure drop of 1 bar.

CM = Operating torque in Nm.

CS = Starting torque in Nm.

MT = Stem breaking torque in Nm.

## OUR CERTIFICATIONS

