

AIR PREPARATION AIR SERVICE UNIT

Specification

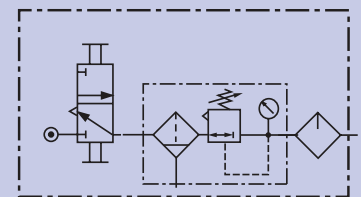
Model	KC_S300-			KC_S400-		
Fluid	Air					
Port	1/4"	3/8"	1/2"	3/8"	1/2"	
Micron	40µm or 5µm					
Pressure Range	Semi-auto & Automatic Drain : 0.15-0.9MPa (20 -130psi)					
	Manual Drain : 0.05- 0.9MPa (7 -130psi)					
Proof Pressure	1.5 MPa (215psi)					
Temperature Range	(-5 to +60°C)					
Capacity of Drain Bowl	40CC			80CC		
Capacity of Oil Bowl	75CC			160CC		
Recommended Lubricant	ISO VG 32 or equivalent					
Actuation	Manual					
Exhaust Port	3/8"			1/2"		
Operational Angle	90°					
Valve Type	(3/2)					
Constitute	Filter/Reg	KFRS300-08	KFRS300-10	KFRS300-15	KFRS400-10	KFRS400-15
	Lubricator	KLS300-08	KLS300-10	KLS300-15	KLS400-10	KLS400-15
	Shut-off Valve	KZ300-08	KZ300-10	KZ300-15	KZ400-10	KZ400-15



Ordering Code

K C A S 3 0 0	—	- 1 5	—	- A	—	- F - 3
Model		Port Size		Drain Type		Gauge
KCFS300 : 300 Series Air Service Unit, Floor Stand		15 : 1/2"		Blank : Semi-Automatic A : Automatic		F-3: Square bar
KCFS400 : 400 Series Air Service Unit, Floor Stand						
KCAS300 : 300 Series Air Service Unit, Wall Mount						
KCAS400 : 400 Series Air Service Unit, Wall Mount						

Symbol



Product Features

FRL

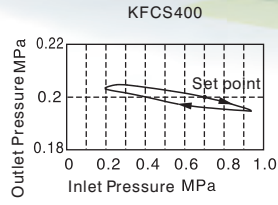
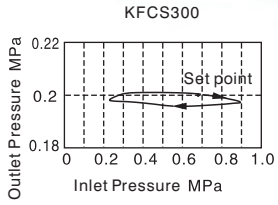
- 1 Quick and reliable installation.
- 2 Pressure adjustment is reliable and precise.
- 3 Filtration 40 micron or 5 micron.
- 4 Manual, semi-auto and automatic drains available.

Shut Off Valve

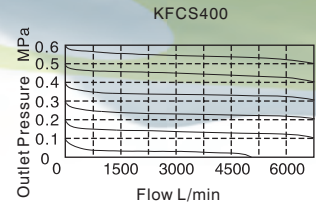
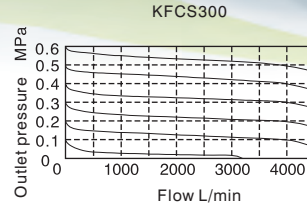
- 1 Can be used as a stand alone 3/2 Manual Shut Off Valve.
- 2 The unit is lockable and is fitted with a sturdy handle which also indicates to any operator what position the unit is in during any maintenance.
- 3 The valve meets the OSHA standard (Occupational Safety & Health Administration).
- 4 When the valve is locked in it's 'OFF' position any downstream air pressure is vented through the exhaust port.
- 5 To save the system being made active by a third party it is always advised to use a padlock to lock the valve into the 'OFF' position.
- 6 Padlock and mounting bracket come supplied with the unit.

AIR PREPARATION AIR SERVICE UNIT

Pressure Charts



Flow Charts (Inlet Pressure 0.7MPa)

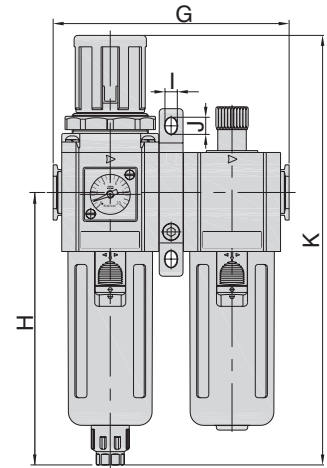
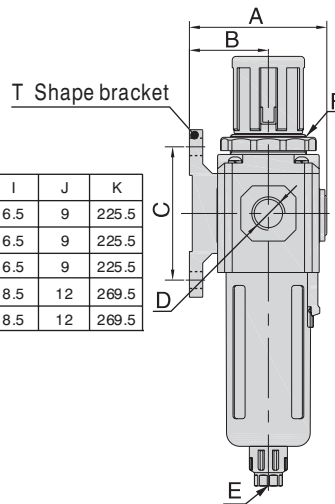


Dimensions

All sizes are in millimetres unless stated otherwise.

KFCS300 & 400

Model/Item	A	B	C	D	E	F	G	H	I	J	K
KFCS300-08	72	41.5	70	1/4"	G1/8	M40 x 1.5	124	143	6.5	9	225.5
KFCS300-10	72	41.5	70	3/8"	G1/8	M40 x 1.5	124	143	6.5	9	225.5
KFCS300-15	72	41.5	70	1/2"	G1/8	M40 x 1.5	124	143	6.5	9	225.5
KFCS400-10	85.5	50	80	3/8"	G1/4	M55 x 2.0	164	165.5	8.5	12	269.5
KFCS400-15	85.5	50	80	1/2"	G1/4	M55 x 2.0	164	165.5	8.5	12	269.5



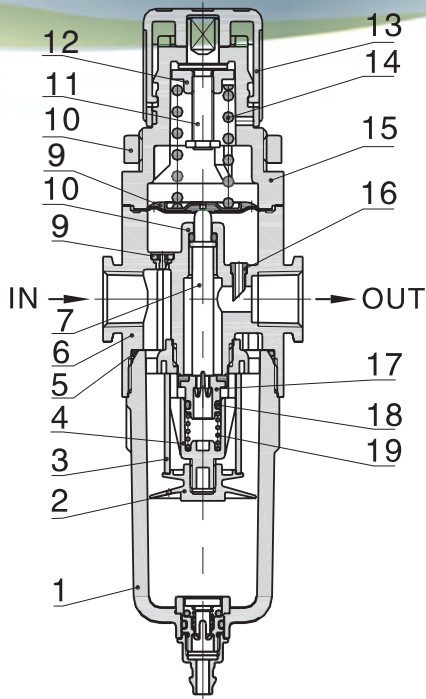
Drain Options

300 / 400

Manual Drain	Semi-auto Drain	Automatic Drain
<p>300:G1/8 400:G1/4</p>	<p>300:G1/8 400:G1/4</p>	<p>300:G1/8 400:G1/4</p>

AIR PREPARATION AIR SERVICE UNIT

Inner Structure KFRS300 & 400



Semi-Auto Drain

No	Item	Material
1	Drain Bowl	Aluminum Alloy (600) PC (200/300/400)
2	Umbrella Baffle	High Viscosity POM
3	Filter Core	Bronze (40µm) Bronze (600) Makrolon fiber. (5 µm)
4	Air Guider	High Viscosity POM
5	O-ring	NBR
6	Body	Aluminum Alloy
7	Adjusting Spool	Brass (600) POM (200/300/400)
8	O-ring	NBR
9	Diaphragm	SUS304 & Rubber
10	Fixation Ring Cap	Aluminum Alloy (600) PC (200,300,400)
11	Adjusting Spindle	Steel
12	Regulator Nut	Steel
13	Pressure Knob	POM
14	Spring	SWC
15	Adjusting Seat	Aluminum Alloy (600) PC (200,300,400)
16	Feedback Tube	POM
17	Adjusting Plug	Brass & Rubber
18	O-ring	NBR
19	Spring	SUS304
20	Liquid Meter Cover	SPCC
21	Liquid Meter Seal	VITON
22	Liquid Meter Inside Cover	PC

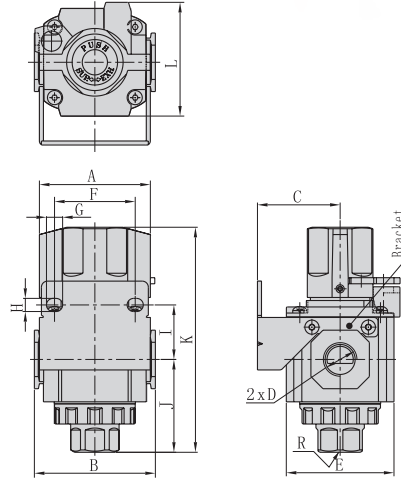
AIR PREPARATION AIR SERVICE UNIT

Shut Off Valve

Dimensions

All sizes are in millimetres unless stated otherwise.

Model / Item	KZ300			KZ400	
	8	10	15	10	15
A	55			65	
B	60			75	
C	41			50	
D	1/4"	3/8"	1/2"	3/8"	1/2"
E	53.4			64	
F	40			55	
G	8			11	
H	6.5			8.5	
I	27			33.5	
J	46			58.5	
K	112.5			134	
L	56.5			66	
R	3/8"			1/2"	



Inner Structure

No.	Item
1	Valve Cap
2	Body
3	Screw
4	Operating Screw
5	Adjusting Screw
6	Special Screw
7	Fixing Plate
8	O-ring
9	Cover
10	Spool
11	Plug
12	Spring
13	O-ring
14	Cover

