



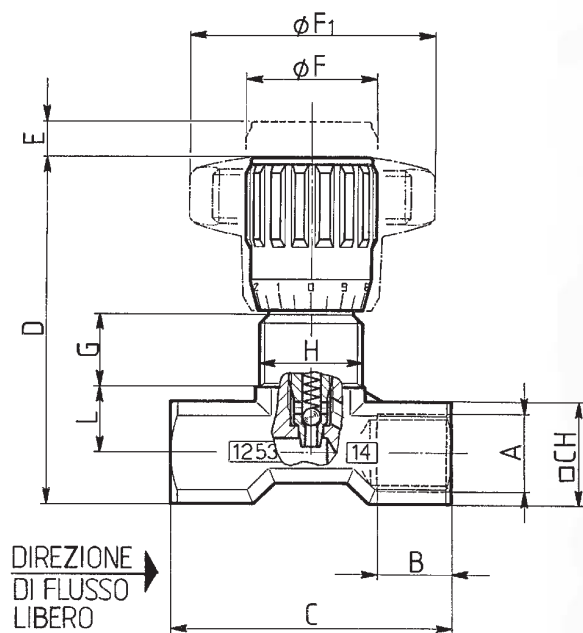
MATERIALS

BODY	DT 58 - UNI 5705 - NICKEL PLATED
NEEDLE	X 10 CR NI S 1809 - UNI 6900
OR	NITRILE
ANTIEXTRUSION RING	PTFE
KNOB	GD AL SI 12 - UNI 5706
KNOB (MP)	ABS

EXAMPLE FOR ORDERING

ACCESSORIES ON REQUEST

	CODE	TYPE	PANEL RING NUT	VITON SEAL	KNOB ABS
BRASS	FT 1253/5-02	12	G	V	MP
STAINLESS STEEL	FT 2253/5-02	18	G	V	MP



DIMENSIONS

TYPE	A UNI 338	B	C	D	E	ϕF	ϕF_1	G	H	L	ϕCH	WEIGHT KG
18	1/8"G	8	40	55	4	22	40	12	M15x1	9,5	15	0,105
14	1/4"G	12	46	57	4,5	22	40	11,5	M17x1	11,5	18	0,135
38	3/8"G	13	55	69	7	27	50	12,5	M20x1	15	22	0,250
12	1/2"G	16	70	82	10	33	70	13	M25x1,5	19	27	0,460
34	3/4"G	20	91	100	12	38	80	15	M30x1,5	22	34	0,860