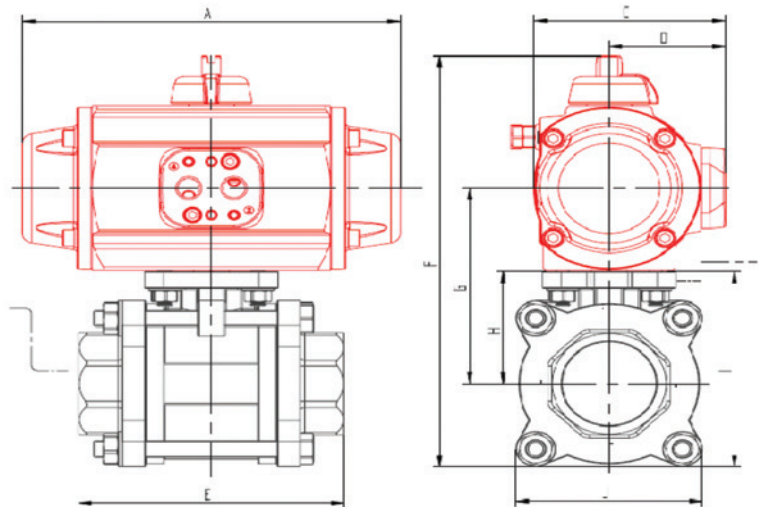


Actuated 3 Piece SS Direct Mount Full Bore Ball Valve



Double Acting

Part No.	Size	Actuator Size	A	C	D	E	F	G	H	I	J	Weight Kg	Switch Box
DA-1/4SS	1/4"	PAW	140	76	48	58	145.3	73.2	36	56	43	1.6	SB-0001
DA-3/8SS	3/8"	PAW	140	76	48	58	145.3	73.2	36	56	43	1.6	SB-0001
DA-1/2SS	1/2"	PAW	140	76	48	62	151.3	75.2	38	62	49	1.7	SB-0001
DA-3/4SS	3/4"	PAW	140	76	48	77	157.3	79.2	42	68	53	1.8	SB-0001
DA-1SS	1"	PA00	152	84	52	83	162.3	87.2	44	73	58	2.7	SB-0002
DA-11/4SS	1 1/4"	PA00	152	84	52	94	178.3	96.2	53	89	71	3.5	SB-0002
DA-11/2SS	1 1/2"	PA05	201	102	62	107	209.3	108.2	59	98	79	5.7	SB-0002
DA-2SS	2"	PA05	201	102	62	120	239.3	115.2	66	111	91	7.2	SB-0002
DA-21/2SS	2 1/2"	PA10	224	104	63	156	300.3	154.2	102	172	158	12.5	SB-0002
DA-3SS	3"	PA15	264	119	71	182	322.3	172.7	113	194	181	16.9	SB-0002
DA-4SS	4"	PA20	310	128	75	214	352.3	190.7	127	224	220	27.5	SB-0002

Single Acting

Part No.	Size	Actuator Size	A	C	D	E	F	G	H	I	J	Weight Kg	Switch Box
SA-1/4SS	1/4"	PAWS	140	76	48	58	145.3	73.2	36	56	43	1.7	SB-0001
SA-3/8SS	3/8"	PAWS	140	76	48	58	145.3	73.2	36	56	43	1.7	SB-0001
SA-1/2SS	1/2"	PAWS	140	76	48	62	151.3	75.2	38	62	49	1.8	SB-0001
SA-3/4SS	3/4"	PA00S	152	84	52	77	179.3	85.2	42	68	53	2.5	SB-0002
SA-1SS	1"	PA05S	201	102	62	83	201.3	93.2	44	73	58	4.3	SB-0002
SA-11/4SS	1 1/4"	PA10S	224	104	63	94	221.3	105.2	53	89	71	5.6	SB-0002
SA-11/2SS	1 1/2"	PA15S	264	119	71	107	245.8	118.7	59	98	79	8.5	SB-0002
SA-2SS	2"	PA15S	264	119	71	120	258.8	125.7	66	111	91	9.7	SB-0002
SA-21/2SS	2 1/2"	PA20S	310	128	75	156	328.3	165.7	102	172	158	15.9	SB-0002
SA-3SS	3"	PA25S	356	154	89	182	378.3	190.2	113	194	181	24.5	SB-0002
SA-4SS	4"	P30S	479	177	94	214	435	223	127	224	220	35.2	SB-0002

Actuator Details

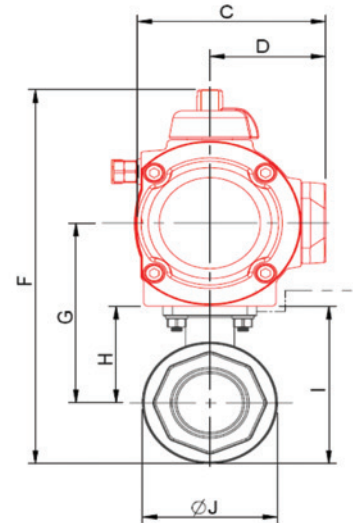
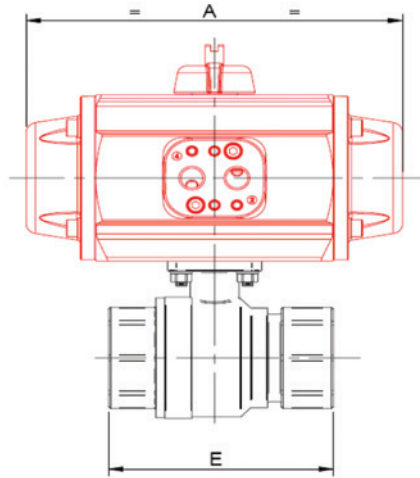
Body and Cap	Aluminium Rilsan Coated
End Cap Screw	304 Stainless Steel
Max Air Pilot Pressure	8 Bar (Sized @ 6 Bar)
Working Temperature	-32°C to +90°C

Valve Details

Body and Ball	316 Stainless Steel
Seats and Seals	PTFE
Max Working Pressure	1000psi (69 Bar)
Working Temperature	-20°C to +180°C

BSPP Ends as standard, Butt Weld and Socket Weld on request.

Actuated Brass Direct Mount Full Bore Ball Valve



Double Acting

Part No.	Size	Actuator Size	A	C	D	E	F	G	H	I	J	Weight Kg
DA-1/4E	1/4"	PAW	140	76	48	67	138.55	69.7	32.5	49.25	33.5	1.3
DA-3/8E	3/8"	PAW	140	76	48	67	138.55	69.7	32.5	49.25	33.5	1.3
DA-1/2E	1/2"	PAW	140	76	48	67	138.55	69.7	32.5	49.25	33.5	1.3
DA-3/4E	3/4"	PAW	140	76	48	76	143.8	71.7	34.5	54.5	40	1.6
DA-1E	1"	PAW	140	76	48	90	159.3	82.7	45.5	70	49	1.8
DA-11/4E	1 1/4"	PAW	140	76	48	102	177.55	96.2	59	88.25	58.5	2
DA-11/2E	1 1/2"	PA00	152	84	52	114	211.8	107.2	64	100.5	73	3.2
DA-2E	2"	PA00	152	84	52	138	230.3	122.45	73.25	119	91.5	4.5
DA-21/2E	2 1/2"	PA05	201	102	62	165	274.05	137.7	88.5	145.75	114.5	6.8
DA-3E	3"	PA05	201	102	62	188	294.3	147.2	98	166	136	8.9
DA-4E	4"	PA15	264	119	71	225	347.3	176.2	116.5	199.5	166	14.5

Part No.	Size	Actuator Size	A	C	D	E	F	G	H	I	J	Weight Kg
SA-1/4E	1/4"	PAWS	140	76	48	67	138.55	73.2	36	49.25	33.5	1.4
SA-3/8E	3/8"	PAWS	140	76	48	67	138.55	73.2	36	49.25	33.5	1.4
SA-1/2E	1/2"	PAWS	140	76	48	67	138.55	75.2	38	49.25	33.5	1.4
SA-3/4E	3/4"	PAWS	140	76	48	76	143.8	78.9	41.7	54.5	40	1.7
SA-1E	1"	PAWS	140	76	48	90	159.3	81.6	44.4	70	49	1.9
SA-11/4E	1 1/4"	PAWS	140	76	48	102	177.55	91.2	54	88.25	58.5	2.1
SA-11/2E	1 1/2"	PA05S	201	102	62	114	228.8	108.7	59.5	100.5	73	4.7
SA-2E	2"	PA05S	201	102	62	138	247.3	116.2	67	119	91.5	6
SA-21/2E	2 1/2"	PA10S	224	104	63	165	278.05	119.2	67	145.75	114.5	7.8
SA-3E	3"	PA10S	224	104	63	188	298.3	119.2	67	166	136	9.9
SA-4E	4"	PA20S	310	128	75	225	355.8	130.7	67	199.5	166	16.7

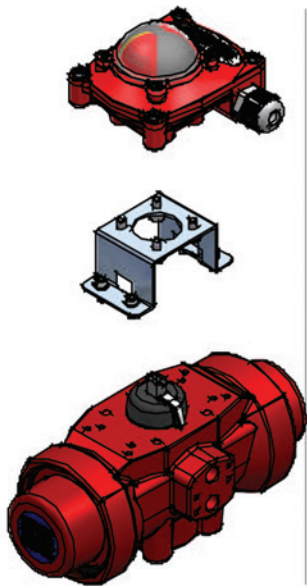
Actuator Details

Body and Cap Aluminium Rilsan Coated
End Cap Screws 304 Stainless Steel
Max Air Pilot Pressure 8 Bar (Sized @ 6 Bar)
Working Temperature -32°C to +90°C

Valve Details

Body and Ball Brass Plated
Seats and Seals PTFE/VITON
Max Working Pressure 40 Bar upto 2", 25 Bar 2 1/2", 16 Bar 3" & 4"
Working Temperature -20°C to +180°C

ELEMENTOS DE REGULACIÓN Y CONTROL
ELEMENTS OF REGULATION AND CONTROL



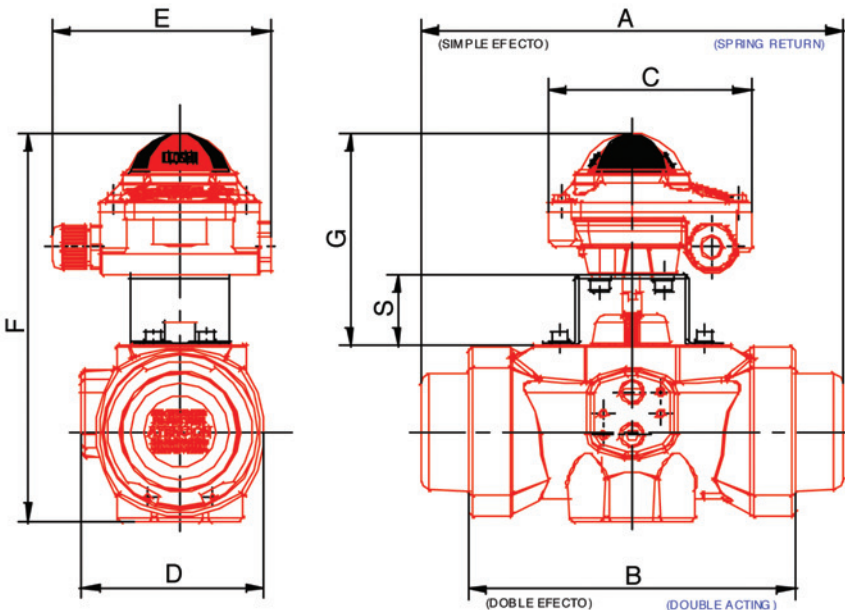
1 CAJA FINALES DE CARRERA
LIMIT SWITCH BOX

2 SOPORTE
BRACKET

3 ACTUADOR NEUMÁTICO
PNEUMATIC ACTUATOR



CAJA FINALES DE CARRERA
ELECTROMECÁNICAS
ELECTROMECHANIC LIMIT SWITCH BOX



ACTUADOR ACTUATOR	DIMENSIONES (mm)					DIMENSIONS (mm)		
	A	B	C	D	E	F	G	S
PW-PWS	143,5	109	112	68,5	118	188	123	30
P00-P00S	160	125	112	80	118	213	133	40
P05-P05S	194	146	112	98	118	225	133	40
P10-P10S	236	182	112	108	118	230	133	40
P15-P15S	266	203	112	121	118	251	133	40
P20-P20S	312	234	112	127	118	264	133	40
P25-P25S	362	276	112	152	118	294	133	40
P30-P30S	479	349	112	177	118	314	133	40
P40-P40S	598	444	112	226	118	375	153	60
P50-P50S	694	524	112	257,5	118	416	153	60

CARACTERÍSTICAS GENERALES

1.- CAJA FINAL DE CARRERA

- Materiales:
- CAJA : ALUMINIO (IP-67)
- EJE : ACERO INOXIDABLE
- CUBIERTA DEL INDICADOR : POLICARBONATO
- TORNILLERÍA : ACERO INOXIDABLE
- TAPON : 1 UNID. POLIAMIDA
- PRENSAESTOPAS : IP-67 M20 DIÁMETRO CABLE 6+12mm
- : 1 UNIDAD, OPCIONAL 2 UNIDADES

- Especificaciones:
- TEMPERATURA : -20°C +80°C
- FINALES DE CARRERA : ELECTROMECHANICOS OMRON (SPDT)

2.- SOPORTE

- MATERIAL SOPORTE : INOX AISI-304
- MATERIAL TORNILLERÍA : INOX AISI-304

3.- ACTUADOR NEUMÁTICO

GENERAL FEATURES

1.- LIMIT SWITCH BOX

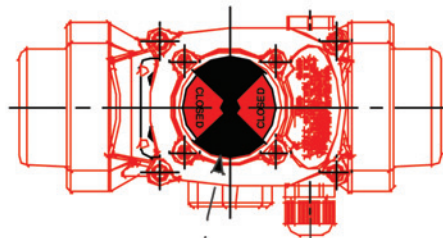
- Materials:
- BOX : ALUMINIUM (IP-67)
- SHAFT : STAINLESS STEEL
- INDICATOR COVER : POLYCARBONATE
- BOLTING : STAINLESS STEEL
- AIR-TIGHT TAP : 1 UNIT, POLYAMIDE
- PACKING GLAND : IP-67 M20 6+12mm CABLE DIAMETER
- : 1 UNIT, OPTION 2 UNITS.

- Specifications:
- AMBIENT TEMPERATURE : -20°C +80°C
- LIMIT SWITCH : ELECTROMECHANIC OMRON (SPDT)

2.- B RACKET

- BRACKET MATERIAL : STAINLESS STEEL AISI-304
- BOLT MATERIAL : STAINLESS STEEL AISI-304

3.- PNEUMATIC ACTUATOR



ACTUADOR CERRADO
ACTUATOR CLOSED



ACTUADOR ABIERTO
ACTUATOR OPEN