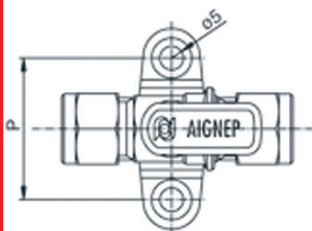
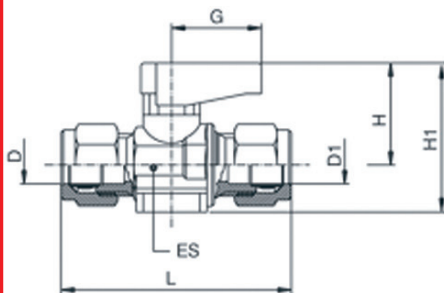


IN THE SIZES 1/4-8, 1/4-10, 3/8-14, 3/8-15 THE NUT , THE DOUBLE CONE AND THE THREAD A ARE THE OPPOSITE SIDE OF THE PICTURES

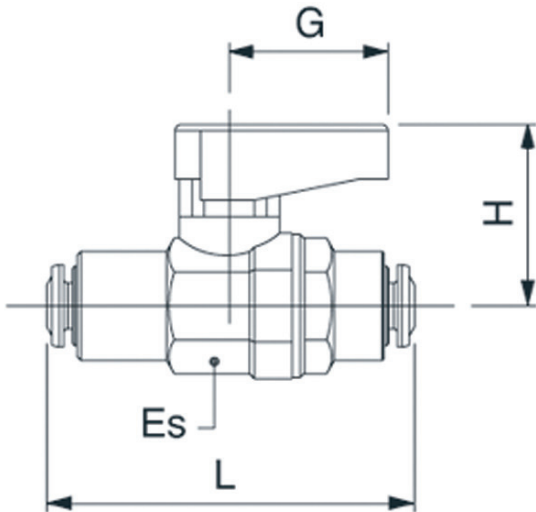
**6440 - VALVE PARALLEL MALE GA ISO 228 - TUBE(standard handle-red plate)**

A	D	D.N.	ES	F	L	G	H	Conf./Pack	Draw
1/8	6	5,5	14-15	7	39	19	21	25	<a href="#">Download (1.10 MB)</a>
1/8	8	5,5	14-15	7	40	19	21	25	<a href="#">Download (1.09 MB)</a>
1/4	6	5,5	14-15	8	40	19	21	25	<a href="#">Download (1.03 MB)</a>
1/4	8	5,5	14-15	8	41	19	21	25	<a href="#">Download (1.06 MB)</a>
1/4	10	5,5	14-15	8	44	19	21	25	<a href="#">Download (982.31 KB)</a>
3/8	8	5,5	14-15	9	43	19	21	25	<a href="#">Download (1.06 MB)</a>
3/8	10	8	18-19	9	46	19	22	10	<a href="#">Download (1.28 MB)</a>
3/8	12	8	18-19	9	47	19	22	10	<a href="#">Download (1.38 MB)</a>
3/8	14	8	18-19	9	50,5	19	22	10	<a href="#">Download (1.35 MB)</a>
3/8	15	8	18-19	9	50,5	19	22	10	<a href="#">Download (1.41 MB)</a>
1/2	10	8	18-19	10	49	19	22	10	<a href="#">Download (1.38 MB)</a>
1/2	12	8	18-19	10	50	19	22	10	<a href="#">Download (1.52 MB)</a>
1/2	14	10	22-23	10	52,5	26	30,5	10	<a href="#">Download (1.42 MB)</a>
1/2	15	10	22-23	10	52,5	26	30,5	10	<a href="#">Download (1.44 MB)</a>
3/4	14	10	22-23	12	56,5	26	30,5	10	<a href="#">Download (1.52 MB)</a>
3/4	15	10	22-23	12	56,5	26	30,5	10	<a href="#">Download (1.53 MB)</a>
3/4	16	14	28-30	12	60,5	26	33	5	<a href="#">Download (814.32 KB)</a>
3/4	18	14	28-30	12	60,5	26	33	5	<a href="#">Download (818.65 KB)</a>



**6500 - FOOT MOUNTED VALVE TUBE-TUBE(standard handle-red plate)**

D	D1	D.N.	ES	L	H	H1	G	P	Conf./Pack	Draw
8	8	5,5	14-15	50	21	32	19	30	10	<a href="#">Download (1.59 MB)</a>



NO GAS

**6560 - VALVE PUSH-IN CONNECTION - PUSH-IN CONNECTION (standard handle-red plate-red collet)**

Tubo	D.N.	ES	L	G	H	Conf./Pack	*	Draw
4	3	14-15	44	19	21	10	NO GAS	<a href="#">Download (1.02 MB)</a>
6	5	14-15	48	19	21	10	NO GAS	<a href="#">Download (899.22 KB)</a>
8	5,5	14-15	48	19	21	10	NO GAS	<a href="#">Download (1.14 MB)</a>