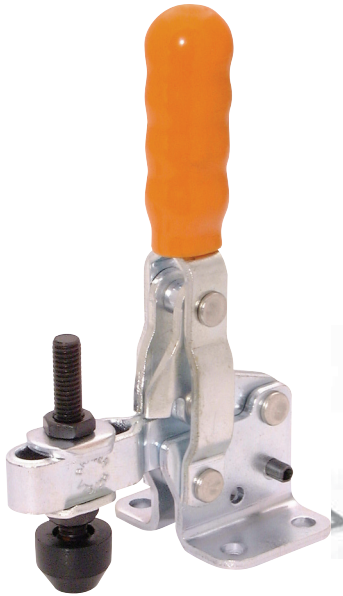


Toggle Clamps



Vertical Manual Clamps, Flanged Base, Adjustable Arm, Neoprene Cover

BR-V75/2B



Arm:
The spindle position is adjustable along the arm.

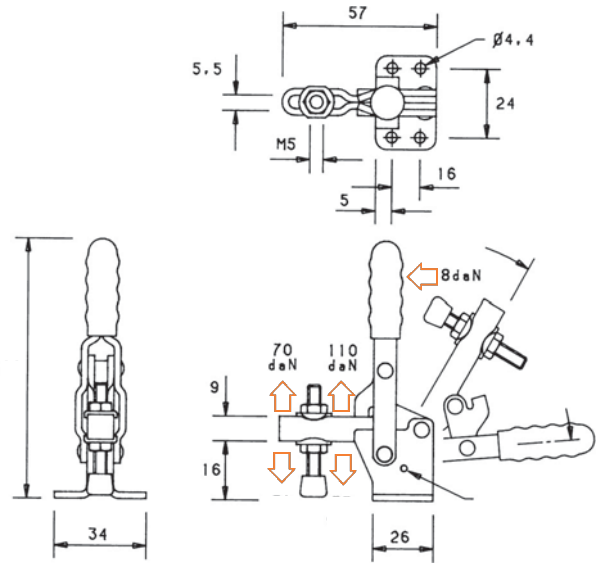
Base:
Flanged.

Nominal Holding Force:
75 daN

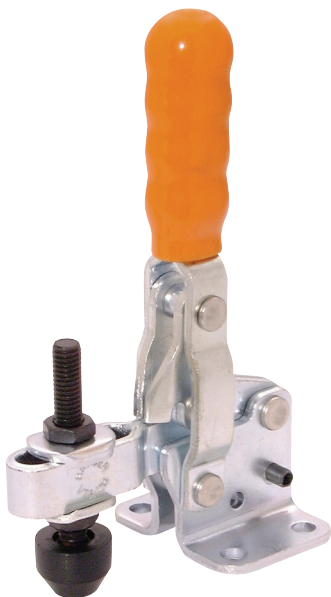
Weight:
0.05 Kg

Supplied complete with:
MB0535 Setscrew & nuts.
NC/05 Neoprene cover.
FW05/10 Flanged washers.

See "Accessories" for other items.



BR-V100/2B



Arm:
The spindle position is adjustable along the arm.

Base:
Flanged.

Nominal Holding Force:
100 daN

Weight:
0.10 Kg

Supplied complete with:
MB0535 Setscrew & nuts.
NC/05 Neoprene cover.
FW05/10 Flanged washers.

See "Accessories" for other items.

