

VACUUM PADS

Ordering Code

K C - Z P	—	0 2	—	U	—	N
Model		Pad diameter Ø mm		Pad Type		Material of pad
KC-ZP : Vacuum Pad		02 : 02		U : Flat		N : NBR
		04 : 04		C : Flat with Ribs		S : Silicone
		06 : 06		D : Deep		
		08 : 08		B : Bellows		
		10 : 10				
		13 : 13				
		16 : 16				
		20 : 20				
		25 : 25				
		32 : 32				
		40 : 40				
		50 : 50				



Product Features

- 1 Available in both NBR & Silicone.
- 2 Diameters 2mm to 125mm.

Pad Forms

Pad Type / Diameter	Ø 2mm	Ø 4mm	Ø 6mm	Ø 8mm	Ø 10mm	Ø 13mm	Ø 16mm	Ø 20mm	Ø 25mm	Ø 32mm	Ø 40mm	Ø 50mm
Flat : U	●	●	●	●	●	●	●	●	●	●	●	●
Flat with Ribs : C					●	●	●	●	●	●	●	●
Deep : D					●		●		●		●	
Bellows : B			●	●	●	●	●	●	●	●	●	●

Pad Variations

Pad Diameter	Features / Applications	Material
Flat : U	For use when the surface of the work piece is flat and not deformed	NBR : Ideal for the transport of boards, in most like Wood, Paper, Metal, Plastics
Flat with Ribs : C	For use when the surface of the work piece is likely to deform slightly under vacuum	Silicone : Ideal for the transport of boards, in most like Wood, Paper, Metal, Plastics and very good with Glass and Film
Deep : D	For use when the surface of workpiece is curved	
Bellows : B	For use when the work piece has varying heights and shapes	

Pad Material Characteristics

Material	Characteristics									
	HS Durometer +/-5°	Operating Temp Range	Oil resistance gasoline	Oil resistance benzol	Base resistance	Acid resistance	Ozone / Weather resistance	Abrasion resistance	Waterproof	Solvent resistance
NBR	50°	0 to 120°C	●	X	○	○	X	●	○	X
Silicon	40°	-30 to 200°C	X	X	○	X	●	X	○	X

● : Little or no influence ○ : Can be used depending on conditions X : Not suitable

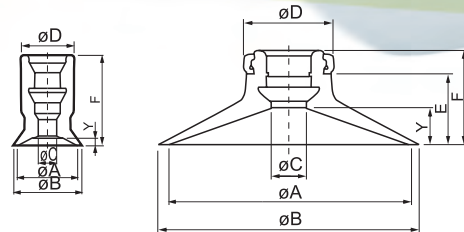
VACUUM PADS

Dimensions

All sizes are in millimetres unless stated otherwise.

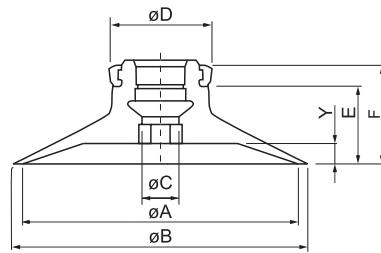
Flat 'U'

Model	Ø A	Ø B	Ø C	Ø D	E	F	Y
KC-ZP02U	2	2.6	1.2	7	-	12	0.8
KC-ZP04U	4	4.8	1.6	7	-	12	0.8
KC-ZP06U	6	7	2.5	7	-	12	0.8
KC-ZP08U	8	9	2.5	7	-	12	1
KC-ZP10U	10	12	5	13	7.7	12	3
KC-ZP13U	13	15	5	13	7.7	12	3
KC-ZP16U	16	18	5	13	8.2	12.5	3.5
KC-ZP20U	20	23	5	15	9.5	14	4
KC-ZP25U	25	28	5	15	9.5	14	4
KC-ZP32U	32	35	5	15	10	14.5	4.5
KC-ZP40U	40	43	7	18	13.7	18.5	6.5
KC-ZP50U	50	53	7	18	14.7	19.5	7.5



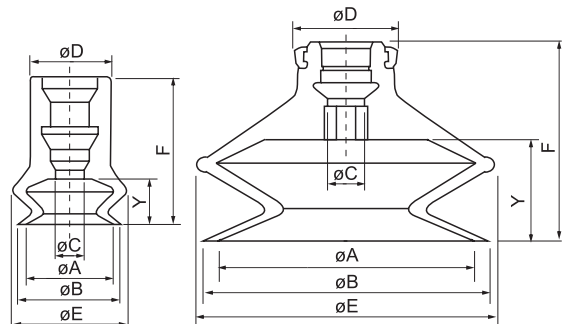
Flat with ribs 'C'

Model	Ø A	Ø B	Ø C	Ø D	E	F	Y
KC-ZP10C	10	12	4	13	7.7	12	1.7
KC-ZP13C	13	15	4	13	7.7	12	1.8
KC-ZP16C	16	18	4	13	8.2	12.5	1.2
KC-ZP20C	20	23	4	15	9.5	14	1.7
KC-ZP25C	25	28	4	15	9.5	14	1.8
KC-ZP32C	32	35	4	18	10	14.5	2.3
KC-ZP40C	40	43	7	18	13.7	18.5	3.3
KC-ZP50C	50	53	7	18	13.7	19.5	3.8



Bellows 'B'

Model	Ø A	Ø B	Ø C	Ø D	E	F	Y
KC-ZP06B	6	7	2.5	7	9.1	13	4
KC-ZP08B	8	9	2.5	7	10.1	13	4
KC-ZP10B	10	12	4	13	13.8	16	5.5
KC-ZP13B	13	15	4	13	19	18.5	7.5
KC-ZP16B	16	18	4	13	21	20	8.5
KC-ZP20B	20	23	4	15	25	23.5	10.5
KC-ZP25B	25	28	4	15	28	24	10.5
KC-ZP32B	32	35	4	15	37	29	14
KC-ZP40B	40	43	7	18	48	34	16
KC-ZP50B	50	53	7	18	57	38	19



Bellows 'D'

Model	Ø A	Ø B	Ø C	Ø D	E	F	Y
KC-ZP10D	10	12	4	13	10.7	15	6
KC-ZP16D	16	18	4	13	11.7	16	7
KC-ZP25D	25	28	4	15	15.5	20	10
KC-ZP40D	40	43	7	18	24.2	29	17

