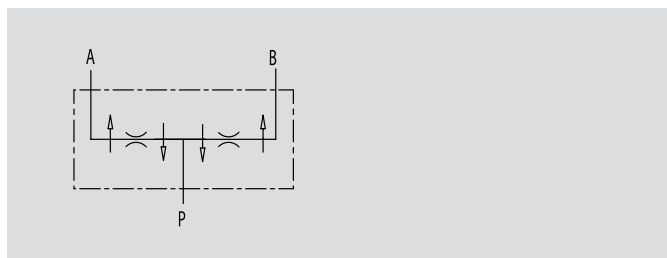


# 2 Ways Flow Divider

TIPO / TYPE  
**V-EQ**

SCHEMA IDRAULICO  
HYDRAULIC DIAGRAM



## 2 WAYS FLOW DIVIDER

### USE AND OPERATION:

These valves allows the division of inlet flow into two equals parts (50/50) and they unify it in the reverse direction independently of any pressure changes and flow. These valves are used when two equal actuators, that are not mechanically coupled, supplied by the same pump and controlled by a single distributor, must move simultaneously both at input and output.

### MATERIALS AND FEATURES:

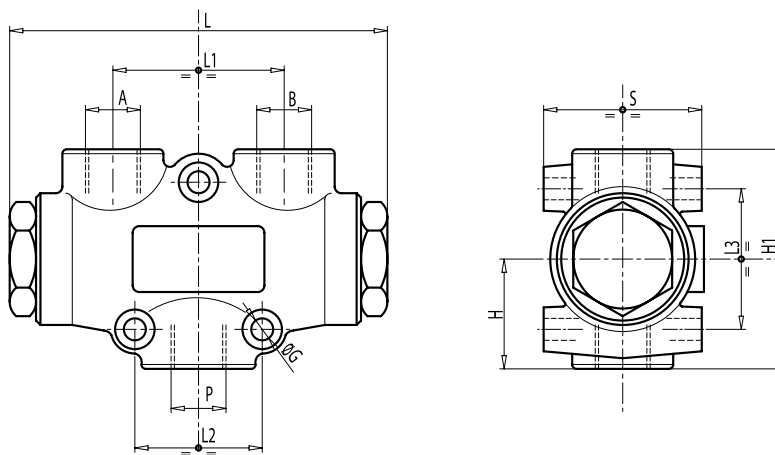
Body: cast iron  
Internal parts: hardened and ground steel  
Seals: BUNA N standard and Teflon  
Tightness: by diameter combination. Minor leakage  
Cylinder stroke error tolerance of 2%. Any synchronisation differences are compensated by the terminal position of the stroke.

### APPLICATIONS:

Connect P to pressure flow and A and B to the actuators.

CODICE CODE	SIGLA TYPE	PORTATA MIN* MIN FLOW Lt. / min	PORTATA MAX* MAX FLOW Lt. / min	PRESS. ESERCIZIO WORKING PRESSURE Bar	PICCO DI PRESSIONE PEAK PRESSURE Bar
<b>CFD063</b>	V - EQ 8	1	3	250	300
<b>CFD066</b>	V - EQ 10	3	6	250	300
<b>CFD0610</b>	V - EQ 15	6	10	250	300
<b>CFD0620</b>	V - EQ 20	10	20	250	300
<b>CFD0632</b>	V - EQ 22	20	32	250	300
<b>CFD0840</b>	V - EQ 25	25	40	250	300
<b>CFD0860</b>	V - EQ 30	40	60	250	300
<b>CFD0880</b>	V - EQ 50	60	80	250	300

\*I valori di portata si riferiscono all'ingresso P  
\*Capacity values refers to input P



CODICE CODE	SIGLA TYPE	P GAS	A - B GAS	L mm	L1 mm	L2 mm	L3 mm	ØG mm	H mm	H1 mm	S mm	PESO WEIGHT Kg.
<b>CFD063</b>	V - EQ 8	G 3/8"	G 3/8"	117	53	40	45	7	35	68	48	1,270
<b>CFD066</b>	V - EQ 10	G 3/8"	G 3/8"	117	53	40	45	7	35	68	48	1,270
<b>CFD0610</b>	V - EQ 15	G 3/8"	G 3/8"	117	53	40	45	7	35	68	48	1,280
<b>CFD0620</b>	V - EQ 20	G 3/8"	G 3/8"	117	53	40	45	7	35	68	48	1,280
<b>CFD0632</b>	V - EQ 22	G 3/8"	G 3/8"	117	53	40	45	7	35	68	48	1,280
<b>CFD0840</b>	V - EQ 25	G 1/2"	G 3/8"	117	53	40	45	7	35	68	48	1,280
<b>CFD0860</b>	V - EQ 30	G 1/2"	G 3/8"	117	53	40	45	7	35	68	48	1,260
<b>CFD0880</b>	V - EQ 30	G 1/2"	G 3/8"	117	53	40	45	7	35	68	48	1,260