

Polypropylene Series: Cable Reels



Kiowa Roll Master Plus Cable Reel

The Kiowa Roll Master Plus compact spring rewind cable reel offers exceptional quality and value; used for storage of electrical cable. Their compact size makes them ideal for workshops, garages & assembly lines where space is limited. Units are supplied ready for fitting with main cable assembly and inlet cable as standard.

These reels are constructed in UV stabilised Polypropylene for long trouble free service.

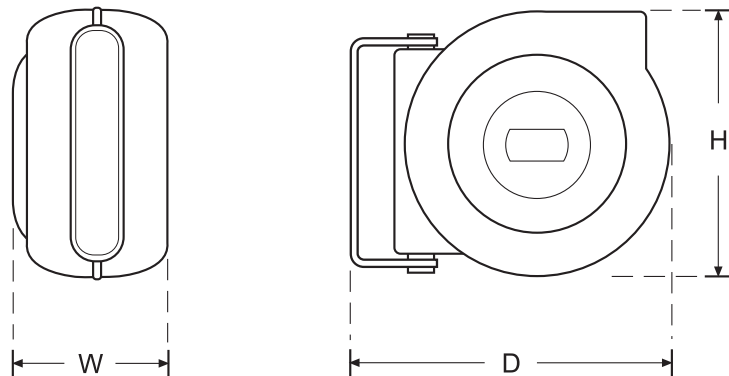
Supplied with integral wall / overhead mounting bracket. Cable supplied: 10m x 3 Core x 1.5mm² including UK plug and trailing socket. Suitable for use with power tools, low voltage inspection lamps and other electrical appliances.

Applications



Features and Benefits

- Constructed in tough UV stabilised Polypropylene
- Supplied with 10m fitted cable
- Latching of cable at any length
- Free run option available
- Low-effort rewind tension
- Pivoting wall bracket as standard
- Ideal for workshops and assembly lines
- Virtually maintenance free
- Supplied with UK standard plug & trailing socket
- 12 month manufacturer's warranty



Product Code	Cable Length m	Max Voltage v	Cores	Max Wattage w	Weight kg	Height (H) mm	Width (W) mm	Depth (D) mm
HR-C-10-3C	10	240	3 core x 1.5mm ²	800/2000	5.2	275	185	325