

BV23 series

BALL VALVE THREE WAYS DIVERTER - "T" BALL



This article was made in compliance with the quality management requirements of standard ISO 9001:2008.

All articles are tested according to the standard EN 12266-1:2003.

It can be used in a wide variety of sectors: heating, air conditioning, water, sanitary systems, pneumatic systems, oil pipelines, gasoline networks, saturated steam and generally with any non corrosive liquid.

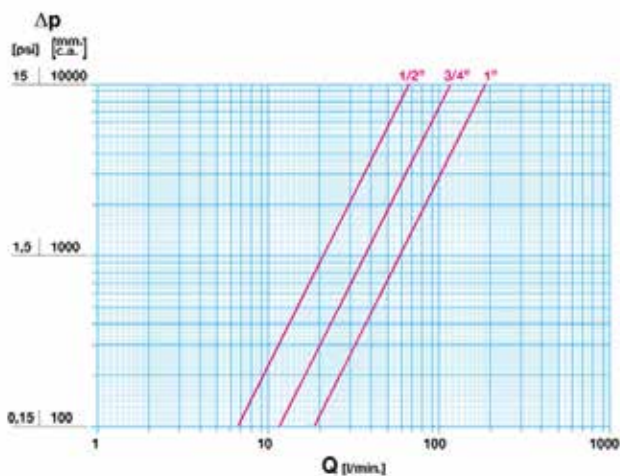
It is guaranteed for 5 years.

It is made of a brass alloy that complies with standard EN 12165-CW617N-M.

Nominal Pressure: PN25

Operating temperature: $-20 \div 150^{\circ}\text{C}$

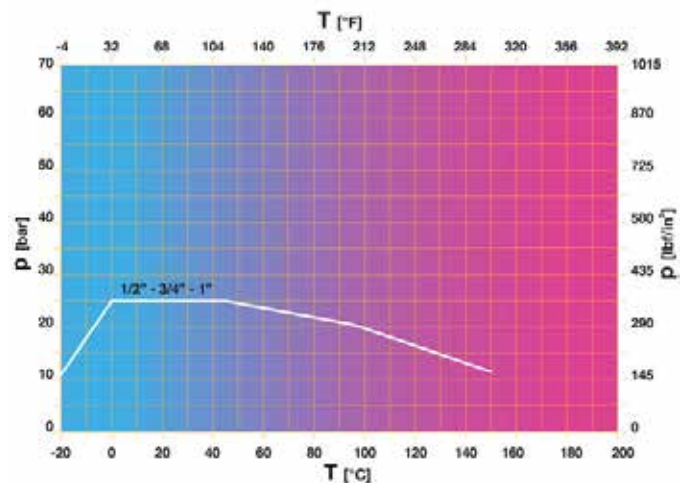
FLOW AND PRESSURE DROP



Notes:

- 1 l/min = 0,06 m³/h
- 1 m³/h = 16,67 l/min
- 1 bar = 10.000 mm w.c.
- 1 psi = 690 mm w.c.

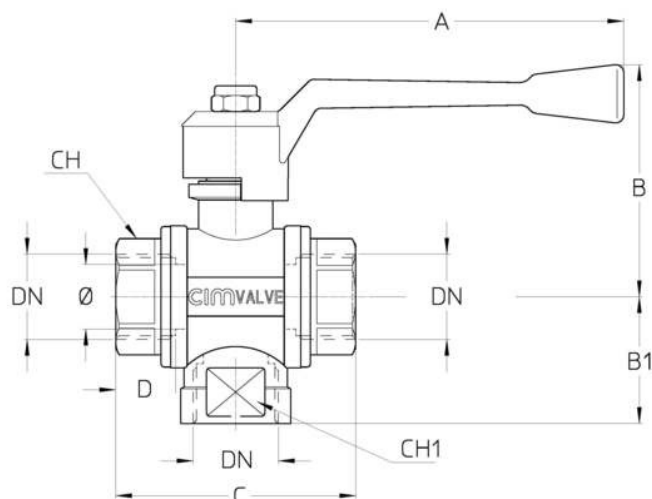
PRESSURE TEMPERATURE RATINGS



Notes:

- 1 bar = 14,5 psi
- 1 bar = 14,5 lbf/in²
- $^{\circ}\text{C} = 5/9 \times (^{\circ}\text{F} - 32)$
- $^{\circ}\text{F} = 32 + (9/5 \times ^{\circ}\text{C})$

TECHNICAL DRAWING



DN	1/2"	3/4"	1"
Ø mm	15	20	25
Grms.	370	585	865
A	100	120	120
B	60	72	76
B1	34	39	46
C	64	74	88
D	18	18,5	22
CH	27	32	41
CH1	27	34	43

Thread:
ISO 7 - Rp

Upon request:
ISO 7 - Rc
ANSI B1.20.1 - NPT

TECHNICAL CHARACTERISTICS

	KV CM CS MT		
DN	1/2"	3/4"	1"
Ø mm	15	20	25
KV	4	7	11
CM	3	4	5
CS	6	10	12
MT	20	45	45

KV = Capacity in m³/h at pressure drop of 1 bar.

CM = Operating torque in Nm.

CS = Starting torque in Nm.

MT = Stem breaking torque in Nm.

OUR CERTIFICATIONS