

Cim 11NPT

FULL BORE BALL VALVE - NPT THREAD - PN 32 - TYPES T12 - STEEL LEVER HANDLE



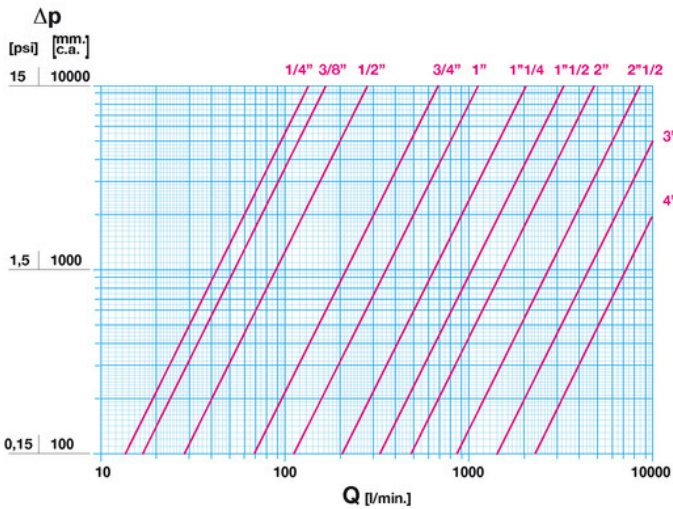
This article was made in compliance with the quality management requirements of standard ISO 9001:2008. All articles are tested according to the standard EN 12266-1:2003.

It can be used in a wide variety of sectors: heating, air conditioning, water, sanitary systems, pneumatic systems, oil pipelines, gasoline networks, saturated steam and generally with any non corrosive liquid.

It is guaranteed for 5 years.

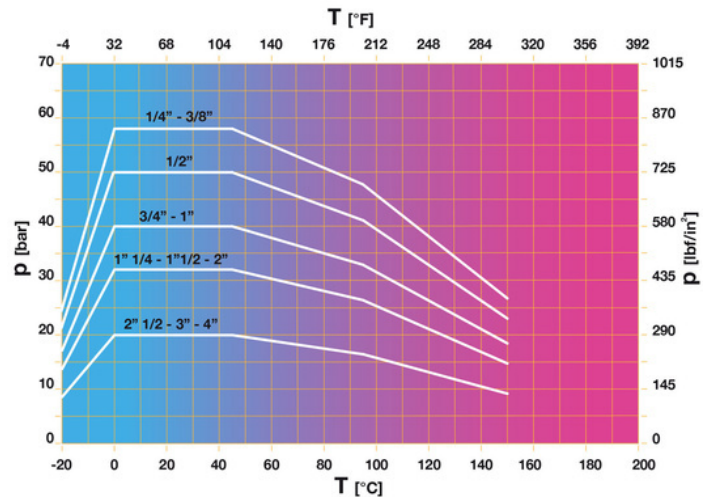
It is made of a brass alloy that complies with standard EN 12165-CW617N-M.

FLOW AND PRESSURE DROP



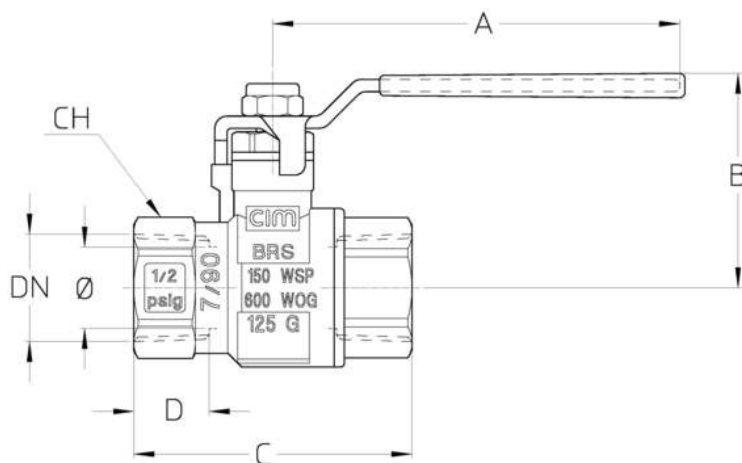
Notes:
 1 l/min = 0,06 m³/h
 1 m³/h = 16,67 l/min
 1 bar = 10.000 mm w.c.
 1 psi = 690 mm w.c.

PRESSURE TEMPERATURE RATINGS



Notes:
 1 bar = 14,5 psi
 1 bar = 14,5 lbf/in²
 °C = 5/9 x (°F-32)
 °F = 32 + (9/5 x °C)

TECHNICAL DRAWING



DN	1/4"	3/8"	1/2"	3/4"	1"	1"1/4	1"1/2	2"	2"1/2	3"	4"
Ø mm	10	10	15	20	25	32	40	50	63	76	100
Grms	115	120	220	360	590	915	1355	2060	4255	6210	10000
A	65	65	80	100	100	120	150	150	240	240	310
B	34	34	46	54	57	66	81	88	126	137	162
C	45	47	61	68	82	92	106	125	151	171	206
D	11,5	12,5	17	18,5	21	22,5	23	26,5	27	28	35
CH	20	20	25	31	40	49	55	69	86	100	123

Thread:
ANSI B1.20.1 - NPT

TECHNICAL CHARACTERISTICS

DN	1/4"	3/8"	1/2"	3/4"	1"	1"1/4	1"1/2	2"	2"1/2	3"	4"
Ø mm	10	10	15	20	25	32	40	50	63	76	100
KV	8	10	17	41	68	123	198	290	520	850	1360
CM	1	1	3	5	6	7	10	13	16	20	30
CS	2	2	6	10	12	14	20	26	32	40	60
MT	10	10	10	24	24	45	80	80	280	280	550

KV = Capacity in m³/h at pressure drop of 1 bar.

CM = Operating torque in Nm.

CS = Starting torque in Nm.

MT = Stem breaking torque in Nm.

OUR CERTIFICATIONS

