



## SP2A-A3

### Pressure Reducing / Relieving Valve, Spool-Type, Direct-Acting



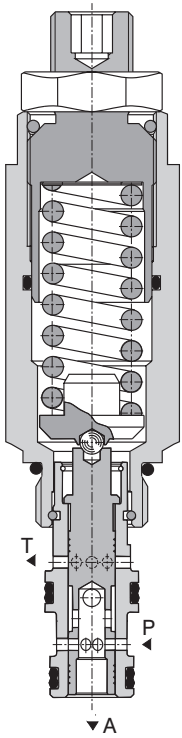
- 3/4-16 UNF
- $Q_{\max}$  20 l/min (5 GPM)
- $p_{\max}$  350 bar (5100 PSI)

**Technical Features**

- › Excellent stability throughout flow range with rapid response to dynamic pressure changes
- › Low hysteresis, accurate pressure control and low pressure drop
- › Wide pressure range up to 350 bar
- › Hardened precision parts
- › Adjustable by allen key or hand screw
- › In the standard version, the valve is zinc-coated for 240 h protection acc. to ISO 9227

**Functional Description**

The valve provides an adjustable regulated pressure level below supply pressure. This direct-acting model is suitable for applications with lower flow rates and lower regulated pressures. In case of shock or surge pressures in the downstream line the valve acts as a relief valve, directing excessive pressure and flow to tank.



**Technical Data**

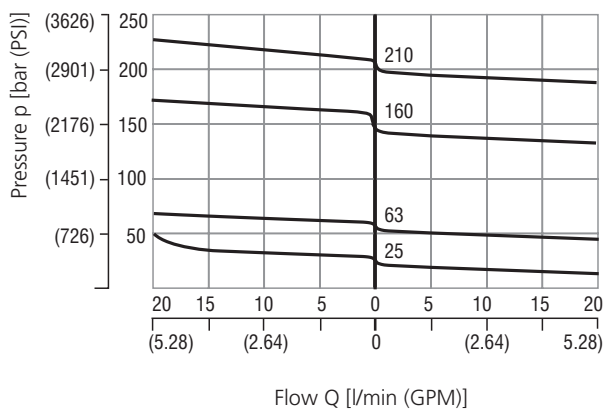
Valve size / Cartridge cavity		3/4-16 UNF-2A / A3			
Max. flow	l/min (GPM)	20 (5.3)			
Pressure range		2	6	16	21
Max. operating pressure (port P)	bar (PSI)	50 (730)	150 (2180)	250 (3630)	350 (5080)
Reduced pressure	bar (PSI)	25 (360)	63 (910)	50-160 (730-2320)	100-210 (1450-3050)
Max. back pressure (port T)	bar (PSI)	200 (3630)			
Fluid temperature range (NBR)	°C (°F)	-30 ... +100 (-22 ... 212)			
Fluid temperature range (FPM)	°C (°F)	-20 ... +120 (-4 ... 248)			
Mass	kg (lbs)	0.13 (0.29)			

		Datasheet	Type
General information		GI_0060	Products and operating conditions
Valve bodies	In-line mounted	SB_0018	SB-A3*
	Sandwich mounted	SB-04(06)_0028	SB-*-A3*
Cavity details / Form tools		SMT_0019	SMT-A3*
Spare parts		SP_8010	

**Characteristics** measured at  $v = 32 \text{ mm}^2/\text{s}$  (156 SUS)

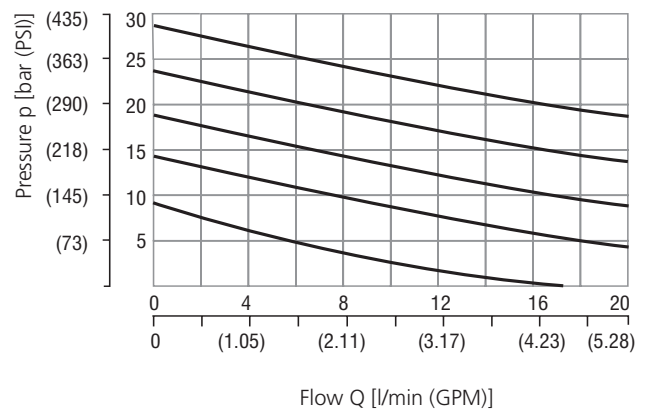
**Reducing - relieving pressure related to flow rate**

Relieving function A→T / Reducing function P→A



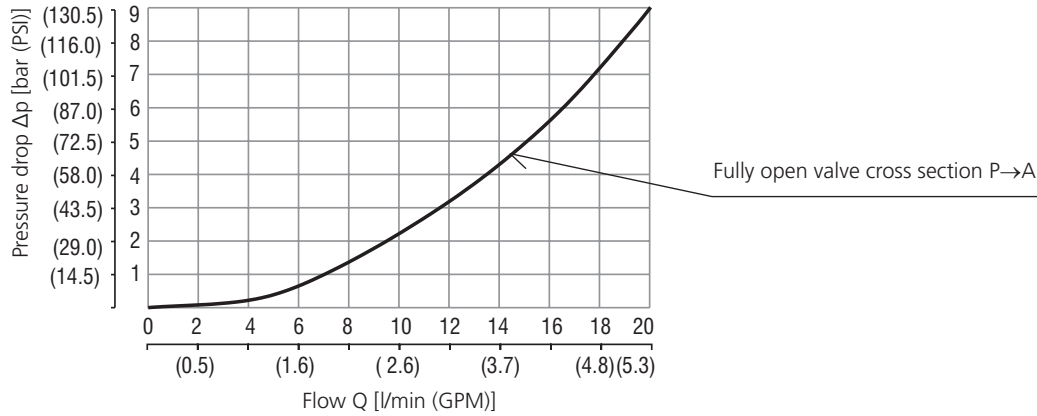
**Minimum reducing pressure related to flow rate**

Pressure range 6



**Characteristics** measured at  $v = 32 \text{ mm}^3/\text{s}$  (156 SUS)

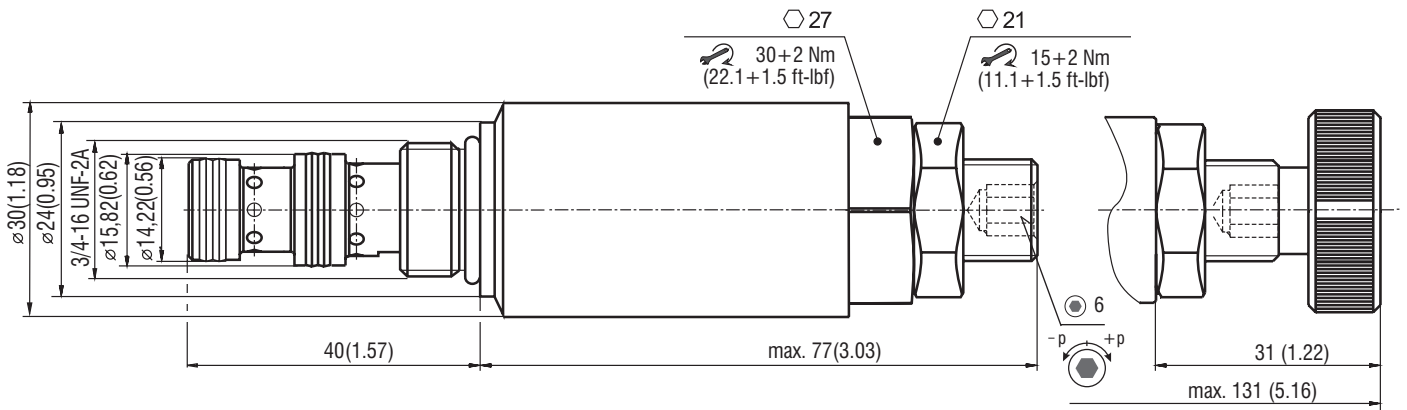
**Pressure drop related to flow rate**



**Dimensions** in millimeters (inches)

**Model S**

**Model RS**



**Ordering Code**

SP2A-A3 / [ ] [ ] [ ] [ ] - [ ]

Pressure reducing - relieving valve, spool-type, direct-acting 3/4-16 UNF

Model Lightline

**Pressure ranges**

up to 25 bar (360 PSI)	2
up to 63 bar (910 PSI)	6
between 50 - 160 bar (730 - 2320 PSI)	16
between 100 - 210 bar (1450 - 3050 PSI)	21

**Surface treatment**

A	zinc-coated (ZnCr-3), ISO 9227 (240 h)
B	zinc-coated (ZnNi), ISO 9227 (520 h)

No designation V

**Seals**

NBR
FPM (Viton)

**Adjustment option**

S	allen key (hex. 6), without protective cap
RS	hand screw, metal