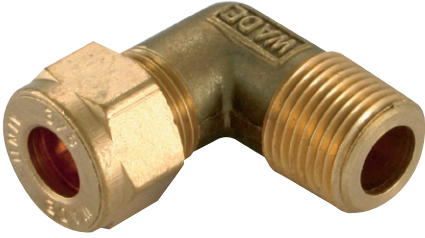


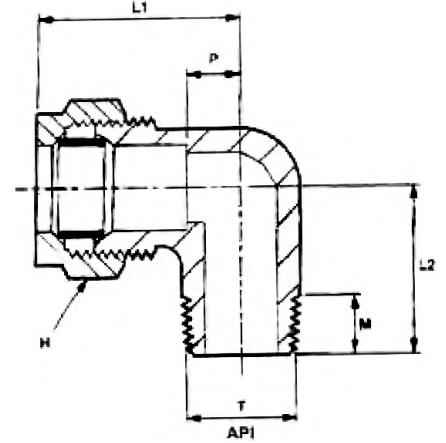
Male Stud Elbow, API, Imperial

Wade



Features & Benefits

- 90° elbow configuration with an API male stud thread
- Enables tube connection to a mating API or NPT female threaded port



Part No	Tube OD	T API male Thread	M Stud Length	L1 Length	L2 Length	H1 Hex A/F	P Abutment
WADE-5023/1API	1/4"	1/8"	0.375"	0.937"	0.781"	0.601"	0.375"
WADE-2023/API	1/4"	1/4"	0.562"	0.937"	0.968"	0.601"	0.375"
WADE-5028/3API	3/8"	1/4"	0.562"	1.093"	1.093"	0.82"	0.437"
WADE-2028/API	3/8"	3/8"	0.562"	1.093"	1.093"	0.82"	0.437"
WADE-2031/API	1/2"	1/2"	0.75"	1.218"	1.312"	0.92"	0.437"