

Air line equipment

Olympian Plus plug-in system

F64G, F68G General purpose filters

G¼ to G1½



Effective liquid removal and positive solid filtration

Large filter element area for minimum pressure drop

Standard options include element service indicator, manual drains and alternative filter elements

Technical data

Medium:

Compressed air only

Maximum inlet pressure: 17 bar (metal bowl)

Ambient temperature:

-20°C to +80°C metal bowls.

Consult our Technical Service for use below +2°C

Materials

F64G series:

Body: zinc alloy

Bowl: aluminium

Yoke: aluminium

Filter element: sintered plastic

Elastomers: synthetic rubber

F68G series:

Body & bowl: aluminium

Yoke: aluminium

Filter element: sintered bronze or plastic

Elastomers: synthetic rubber



Port size	Flow (dm³/s)	kg	Model Auto	Manual	Service kit Auto	Manual	Element (40 µm)
G1/4	33	1,42	F64G-2GN-AD3	F64G-2GN-MD3	4380-200	4380-200	4338-02
G3/8	66	1,42	F64G-3GN-AD3	F64G-3GN-MD3	4380-200	4380-200	4338-02
G1/2	75	1,32	F64G-4GN-AD3	F64G-4GN-MD3	4380-200	4380-200	4338-02
G3/4	75	1,72	F64G-6GN-AD3	F64G-6GN-MD3	4380-200	4380-200	4338-02
G3/4	160	2,45	F68G-6GN-AR3	F68G-6GN-MR3	4380-300	4380-300	5576-99
G1	190	2,33	F68G-8GN-AR3	F68G-8GN-MR3	4380-300	4380-300	5576-99
G1¼	200	2,43	F68G-AGN-AR3	F68G-AGN-MR3	4380-300	4380-300	5576-99
G1½	200	2,30	F68G-BGN-AR3	F68G-BGN-MR3	4380-300	4380-300	5576-99

Models listed include ISO G threads, automatic drain, metal bowl, 40 µm element. Models do not include the service life indicator.

* Typical flow with a 40 µm element at 6,3 bar inlet pressure and a 0,5 bar pressure drop.

For replacement filter (without yoke) substitute 'N' at the 5th and 6th digits eg: F64G-NNN-AD3 (F64).

For replacement filter (without yoke) substitute 'N' at the 5th and 6th digits eg: F68G-NNN-AR3 (F68).

Options selector

F64G-***-***

Port size	Substitute	Element	Substitute
1/4	2	5 µm	1
3/8	3	25 µm	2
1/2	4	40 µm	3
3/4	6		
Threads	Substitute	Bowl	Substitute
PTF	A	Metal with liquid level indicator	D
ISO Rc taper	B	Transparent with guard	P
ISO G parallel	G	Closed bowl*	E
Service life indicator	Substitute	Drain	Substitute
Mechanical	D	Manual	M
Electrical	E	Auto drain	A
Without	N		

F68G-***-***

Port size	Substitute	Element	Substitute
3/4	6	5 µm	1
1	8	25 µm	2
1¼	A	40 µm	3
1½	B		
Threads	Substitute	Bowl	Substitute
PTF	A	1 l without liquid level indicator	C
ISO Rc taper	B	0,5 l without liquid level indicator	M
ISO G parallel	G	0,5 l with liquid level indicator	R
		1 l with liquid level indicator	U
Service life indicator	Substitute	Drain	Substitute
Mechanical	D	Manual	M
Electrical	E	Auto drain	A
Without	N	Closed bowl *	E

* For vacuum use.

Olympian Plus plug-in system

F64G, F68G General purpose filters

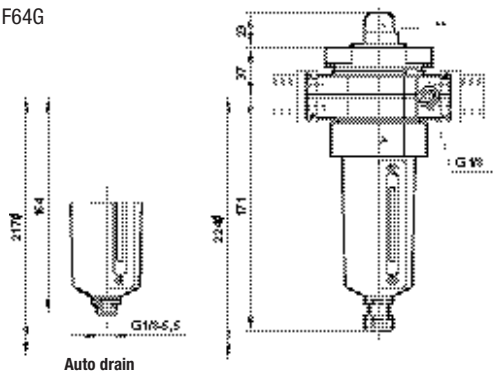
G $\frac{1}{4}$ to G $\frac{1}{2}$

Accessories

Series	Port size	Bracket kit	Bracket kit	3/2 Shut-off valve	Service life indicator (visual) *	Service life indicator (electrical)
F64G	G $\frac{1}{4}$	–	74504-50	T64T-2GB-P1N	5797-50	5800-51
	G $\frac{3}{8}$	–	74504-50	T64T-3GB-P1N	5797-50	5800-51
	G $\frac{1}{2}$	–	74504-50	T64T-4GB-P1N	5797-50	5800-51
	G $\frac{3}{4}$	–	74504-50	T64T-6GB-P1N	5797-50	5800-51
F68G	G $\frac{3}{4}$	18-001-979	–	T68C-6GB-B2N	5797-50	4020-51R
	G1	18-001-979	–	T68C-8GB-B2N	5797-50	4020-51R
	G $\frac{1\frac{1}{4}}$	18-001-978	–	T68C-AGB-B2N	5797-50	4020-51R
	G $\frac{1\frac{1}{2}}$	–	–	T68C-BGB-B2N	5797-50	4020-51R

* Field replacement: cannot be retro-fitted to a standard filter

F64G

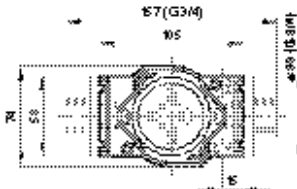


Auto drain

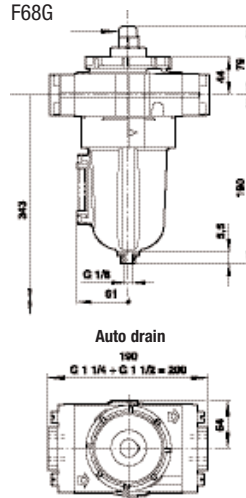
* Gauge port Rc1/8

** Optional service indicator

Minimum clearance required to remove bowl.



F68G



Auto drain

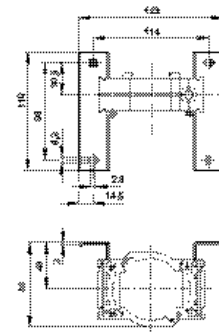
Minimum clearance required to remove bowl.

** Optional service indicator

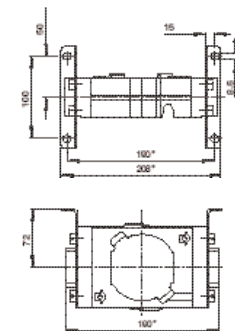
* Manual drain

*** For 1 $\frac{1}{4}$ " and 1 $\frac{1}{2}$ " ported yokes add 10 mm

Bracket mounting (F64G)



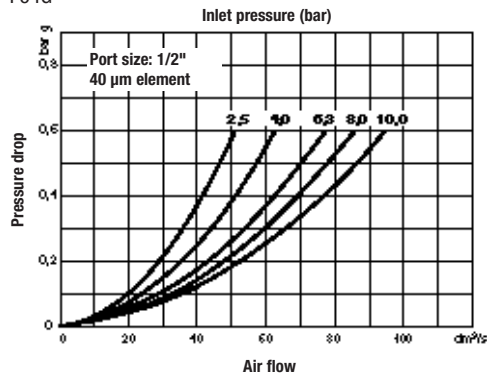
Bracket mounting (F68G)



*Add 10 mm for 1 $\frac{1}{4}$ " and 1 $\frac{1}{2}$ " models

Flow characteristics

F64G



F68G

