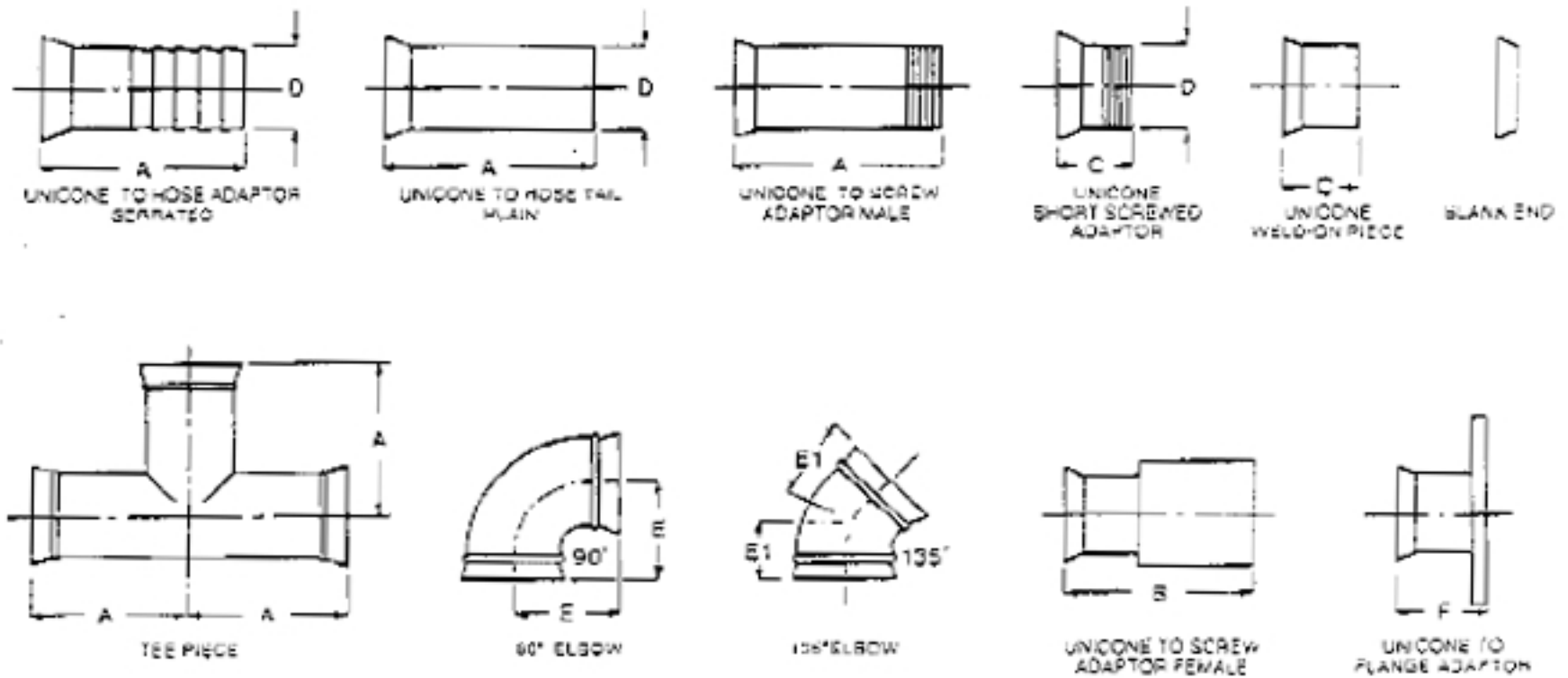


Standard Unicorn Fittings



NOMINAL BORE		A	B	C	OPTIONAL DIAMETER	E	E1	F
IN	MM				D			
3	80	150	150	70	76	190	120	75
					89			
4	100	170	160	70	102	220	135	75
					114			
5	125	200	170	75	127	265	155	85
					140			
6	150	230	170	75	152	300	170	85
					168			