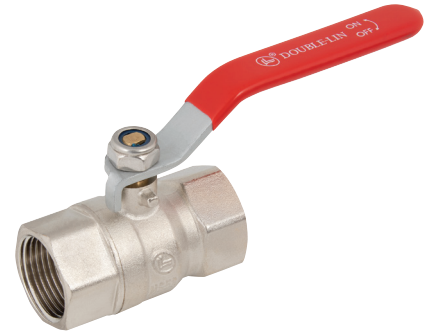
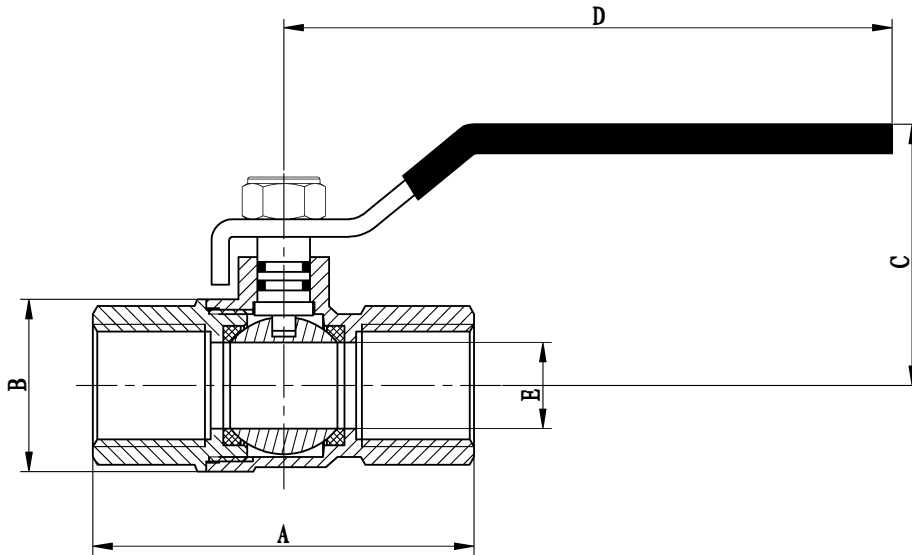


# Ball Valves

WRAS, Lever Handles, Brass Nickel Plated



Red handle valves are stocked as standard with green, blue and black available on request.

Dimensions in mm	1/4"	3/8"	1/2"	3/4"	1"	1.1/4"	1.1/2"	2"	2.1/2"	3"	4"
<b>A</b>	45	45.8	59.4	67	77	93	99	117	143	165	190
<b>B</b>	23	23	29.5	35	42.7	53	63	79	102.5	120.5	144.5
<b>C</b>	39.2	39.8	54.2	57.6	60.6	75.8	81.3	88.5	121.5	129.5	141
<b>D</b>	87	87	95	95	126	140	140	165	224	224	283.5
<b>E</b>	9	10	14.8	19	24	30.2	37	47	62	74	90
<b>PN</b>	25	25	25	25	25	25	25	25	25	25	25
<b>Mass (Kg)</b>	0.134	0.126	0.209	0.297	0.479	0.725	0.932	1.484	2.988	4.344	6.310

Material Specifications	
Body	Brass Hpb57-3 Nickel Plated
Ball 3/8" - 1/4"	Brass Hpb57-3
Ball 3/4" - 4"	Stainless Steel 201
Stem	Brass Hpb57-3
Stem O-rings	NBR & FKM
Seat	PTFE
Lever	PVC Coated Steel

Pressure / Temperature Specifications	
Pressure MOP (Bar)	25
Working Temperature (°C)	-10 to 120

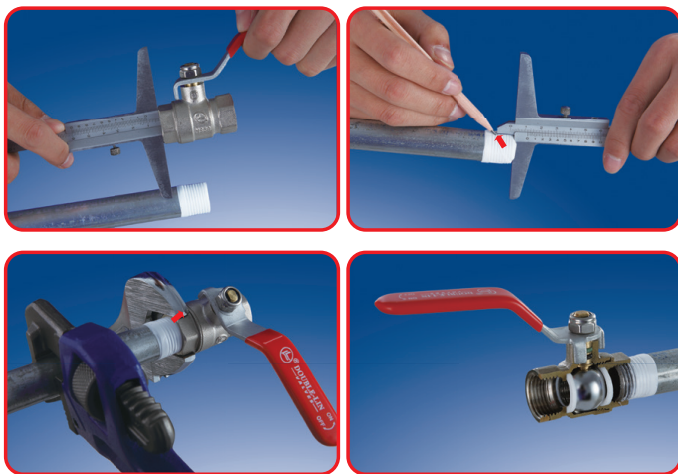


# Ball Valves

Please read the following instructions carefully before installation.

## Product Features:

The quality of the full flow brass ball valves is approved in the UK under the Water Regulations Advisory Scheme (WRAS) for water fittings and can be applied in the medium of water, non-corrosive liquid and saturated vapours. The product is suitable for domestic water services, heating, air-conditioning plants and compressed air systems for isolation shut-off.



## Installation:

1. Close the pipeline and clean up the rust and impurities of pipe end.
2. Close the valve when installing.
3. This product has no requirements of flow direction of the medium. After the product is tightened, loosen the ball valve of quarter-turn to enhance the sealing.

The nickel-plated brass 'anti-blow-out' stem is inserted from inside the valve body to provide blowout-proof safety. The valve boasts a maintenance-free double-sealing solution utilising O-rings at the stem and a thrust washer in the seat which means that the valve can be installed for operation in either direction.



Following these simple installation tips will prevent the valve being damaged that could result in leakage:

- ✗ Never use a pipe wrench on the valve. (The spanner is the preferred choice of tool).
- ✗ Never use a wrench on the furthest end of the valve. (This practice will cause deformation of the valve).
- ✗ To Avoid over-insertion of the pipe when fitting, this may cause damage and create a leak at the connection interface between the pipe and valve.

For valves of pipe threaded connection, whose male threads should avoid excessive insertion to damage the valves.

- ✓ The water pressure test must be carried out after all the products have been installed. The products must be inspected without any leakage before use.

