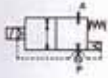


2/2 WAY PILOT OPERATED PISTON VALVE, G 1/4" ÷ G 1/2"



normally closed

TYPE: D634/635/636

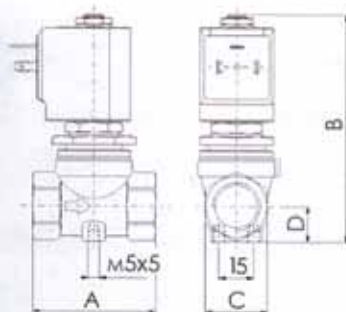
TECHNICAL SPECIFICATIONS

Media: water, steam
 Media temperature: +80°C ... +180°C
 Ambient temperature: -10°C ... +70°C
 Body material: brass (CW617N EN 12165)
 Orifice material: stainless steel (AISI 303 EN 10088-3)
 Operator material: stainless steel
 Seal material: PTFE
 Coil power: AC 18VA (holding)
 AC 36VA (inrush)
 DC 14W
 Protection class: IP 65 (with connector)



SELECTION TABLE

VALVE	G connection	Nominal Diameter	Flow rate kv	OPD		COILS		
				min	max	class "H" only		
Code	-	(mm)	(l/min)	(bar)	AC	DC	Code	(Volts/Hz)
D634DTT	1/4"	10.0	21	0.3	10	10	7251	24/dc
D635DTT	3/8"	10.0	24	0.3	10	10	7201	24/50 - 60
D636DTT	1/2"	10.0	25	0.3	10	10	7401	110/50 - 120/60
							7601	200/50 - 220/60
							7701	230/50 - 240/60



DIMENSIONS & WEIGHTS

G connection	A	B	C	D	weight
-	(mm)	(mm)	(mm)	(mm)	(Kg)
1/4"	54	100	Hex. 17	15.5	0.465
3/8"	54	100	Hex. 17	15.5	0.465
1/2"	54	100	Hex. 17	15.5	0.465

2/2 WAY PILOT OPERATED SOLENOID VALVE, G 3/4" AND G 1"



normally closed

TYPE: D606/622

TECHNICAL SPECIFICATIONS

Media: hot water, steam

Media temperature: +60°C[Ⓢ] + +180°C

Ambient temperature: -10°C + +70°C

Body material: brass (CW617N EN 12165)

Orifice material: stainless steel (AISI 303 EN 10088-3)

Operator material: stainless steel

Diaphragm material: PTFE

Coil power: AC 18va (holding)

AC 36va (inrush)

DC 22w

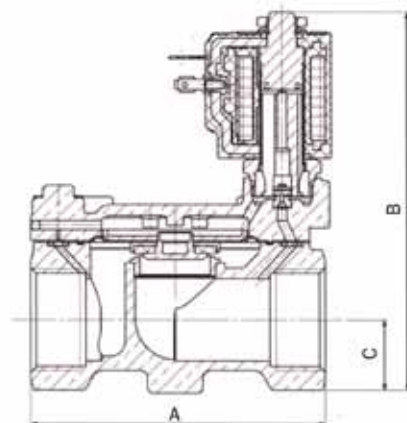
Protection class: IP 65 (with connector)



NOTE

[Ⓢ] For a correct functioning, the minimum working temperature of the solenoid valve cannot be below 60°C

SELECTION TABLE	VALVE	G connection	nominal diameter	flow rate kvs	OPD			COILS class "H" only	
	Code	-	[mm]	[l/min]	min [bar]	AC [bar]	DC [bar]	Code	[Volts - Hz]
	D606DTY	3/4"	24	120	1	10	10	71Z1	12V DC
D622DTY	1"	24	120	1	10	10	72Z1	24V DC	
							7201	24V 50/60Hz	
							7401	110V 50Hz - 120V 60Hz	
							7601	200V 50Hz - 220V 60Hz	
							7701	230V 50Hz - 240V 60Hz	



DIMENSIONS & WEIGHTS	G connection	A	B	C	weight
	-	[mm]	[mm]	[mm]	[kg]
	3/4"	96	124	23	1.3
1"	96	124	23	1.3	

O IM06 1905 U