

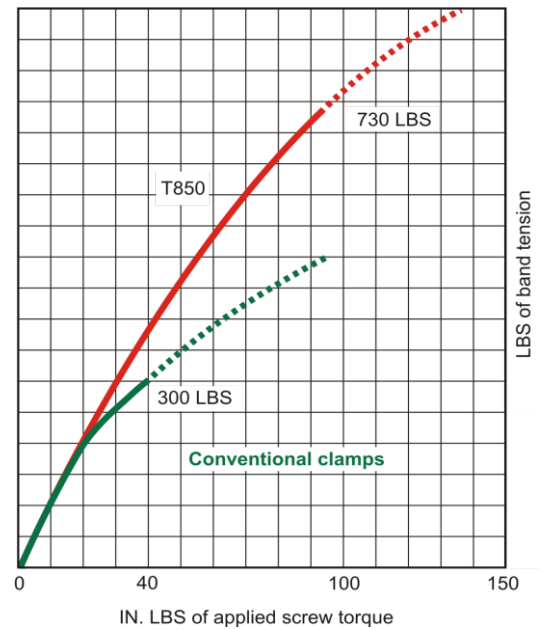
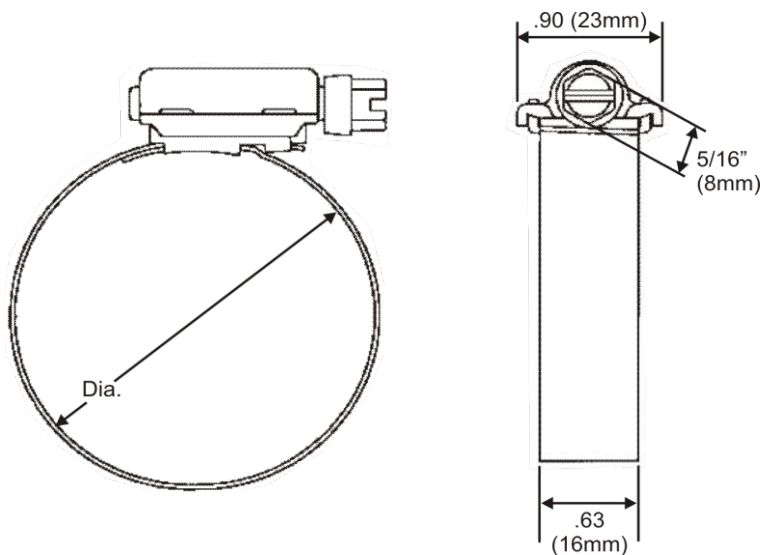
Tri Torque Series T850



Tool Clips

Our TriTorque clamps have a 16mm wide band and wide profile housing that provides maximum engagement of screw threads to band. They are engineered to deliver exceptionally high rates of band tension to handle even the toughest sealing jobs, including wire-reinforced spiral-wound hose.

Designed for high vibration and stubborn leakage applications e.g. industrial machinery, heavy truck, farm and off-road equipment engines.



TriTorque					
PART NUMBER	SIZE (mm)		SIZE (inch)		BOX QTY
	MIN	MAX	MIN	MAX	
T850-175	26	44	1	1.3/4	10
T850-200	32	54	1.1/4	2.1/8	
T850-250	44	67	1.3/4	2.5/8	
T850-300	57	80	2.1/4	3.1/8	
T850-350	70	92	2.3/4	3.5/8	
T850-400	83	105	3.1/4	4.1/8	
T850-450	95	117	3.3/4	4.5/8	
T850-500	108	130	4.1/4	5.1/8	
T850-550	121	143	4.3/4	5.5/8	
T850-600	133	156	5.1/4	6.1/8	
T850-650	146	168	5.3/4	6.5/8	
T850-700	159	181	6.1/4	7.1/8	
T850-750	172	194	6.3/4	7.5/8	
T850-800	184	206	7.1/4	8.1/8	
T850-850	197	219	7.3/4	8.5/8	
T850-900	210	232	8.1/4	9.1/8	

"TriTorque" clamps deliver almost three times the torque rating of conventional clamps.

Information		
PART NUMBER	SIZE	MATERIAL
Hex screw	5/16" (8mm)	410 St. St.
Band	5/8" (16mm)	304 St. St.
Housing	-	304 St. St.

Notes:

Also available lined for maximum protection of soft hoses, please enquire.