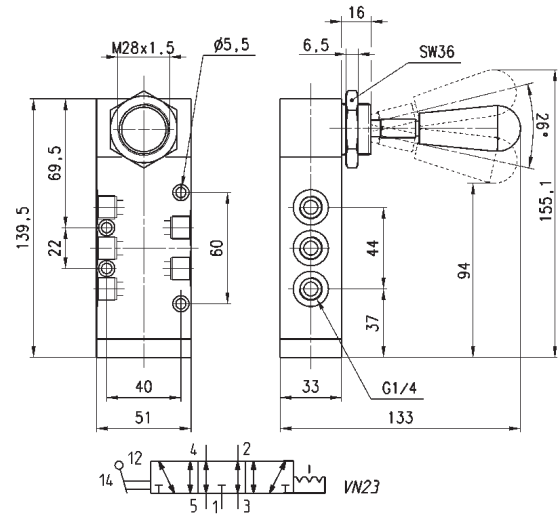


Valve



Actuating force = 5N  
 Operating pressure = -0,9 ÷ 10 bar  
 Flow rate = 1250 NI/min.

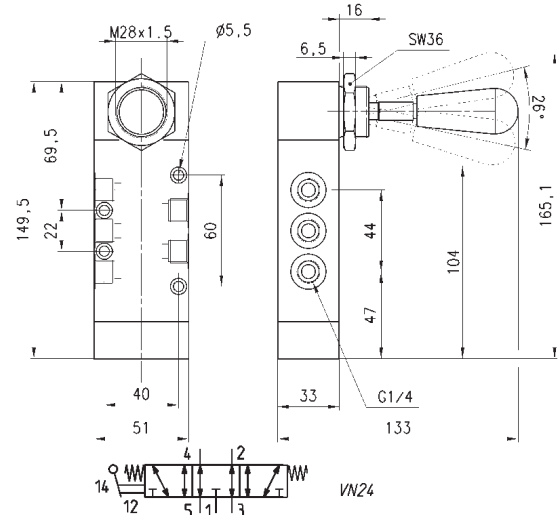


Mod.  
 474-900

Valve



Actuating force = 10N  
 Operating pressure = -0,9 ÷ 10 bar  
 Flow rate = 1250 NI/min.

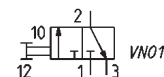
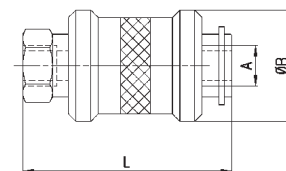


Mod.  
 474-905

Valves



Operating pressure: 0 ÷ 8 bar  
 Operating temperature: - 10 ÷ 80°C.



Mod.	A	ØB	L	Q* (NI/min) 1-2	Q* (NI/min) 2-3
VMS-105-M5	M5	15	33,5	140	145
VMS-118-1/8	G1/8	25	48	600	740
VMS-114-1/4	G1/4	30	58	1200	1780
VMS-138-3/8	G3/8	35	70	2100	1830
VMS-112-1/2	G1/2	40	80	3350	4030
VMS-134-3/4	G3/4	49,5	83	5350	5000