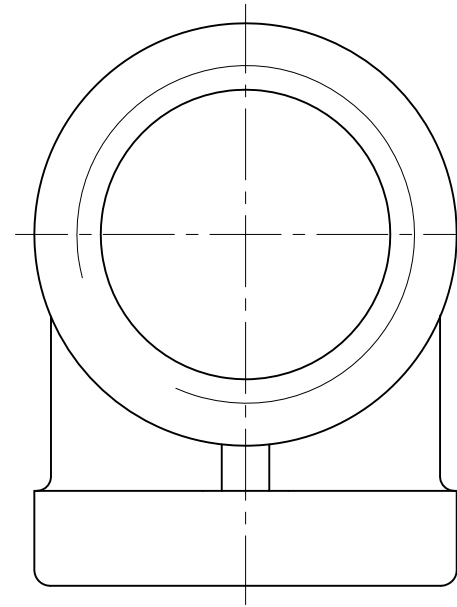
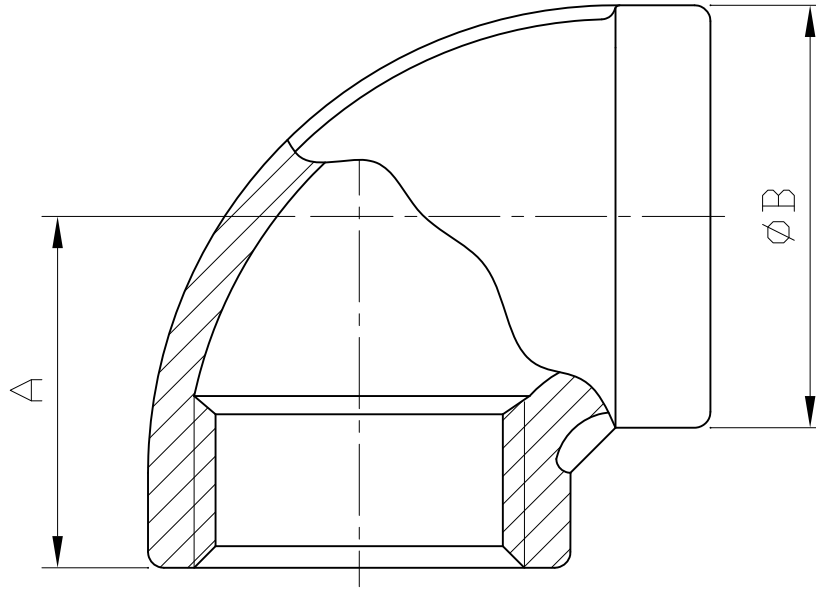


ELBOW 90°



Ra	0.2	▽▽▽
1.6	▽▽	▽▽▽
6.3	▽	▽▽
25	▽	▽
∅	~	

0.1	± 0.1
0.2	± 0.2
0.3	± 0.3
0.5	± 0.5
0.8	± 0.8
1.0	± 1.0
1.5	± 1.5
2.0	± 2.0
3.0	± 3.0
4.0	± 4.0
5.0	± 5.0
6.3	± 6.3
8.0	± 8.0
10	± 10
12.5	± 12.5
16	± 16
20	± 20
25	± 25
31.5	± 31.5
40	± 40
50	± 50
63	± 63
80	± 80
100	± 100
125	± 125
160	± 160
200	± 200
250	± 250
315	± 315
400	± 400
500	± 500
630	± 630
800	± 800
1000	± 1000

HAITIMA CORPORATION
 P.O. BOX 34-36 TAIPEI
 Tel:+886-2-26585800
 E-mail:haitima@seednet.tw
 TAIWAN R.O.C. www.haitimo.com.tw
 F.o.x:+886-2-26582266

SIZE	1/8"		1/4"		3/8"		1/2"		3/4"		1"		1-1/4"		1-1/2"		2"		2-1/2" (NPT)		2-1/2" (PS)		3"		4"	
	mm	in	mm	in	mm	in	mm	in	mm	in	mm	in	mm	in	mm	in	mm	in	mm	in	mm	in	mm	in	mm	in
A	17	0.67	19	0.75	21.5	0.85	27	1.06	30	1.18	35	1.38	43	1.69	45	1.77	54	2.13	69	2.72	69	2.72	72	2.83	89	3.5
B	15.5	0.61	18.8	0.74	22.5	0.89	25.5	1	31.6	1.24	41.2	1.62	48.5	1.91	54.9	2.16	67.4	2.65	81.3	3.2	83.6	3.29	100.5	3.96	126.5	4.98

Tolerance: ± 0.5mm(1/8"~2")
 ± 0.8mm(2-1/2"~4")

△			
△			
△			
Revise	Description	Date	Approve
DRAWING NO. F01		-09	



HAITIMA CORPORATION
 Ball Valves & Pipe Fittings

CHECK BY	DRAWING BY	DATE	SPECIFICATION
	<i>Dune</i>	Jun.29.2009	Elbow 90°
			MATERIAL 304/316
			PROCESS/Nr.
			UNIT / SCALE mm

