

Air line equipment

Ported pressure regulators

R07, 20AG

G $\frac{1}{8}$ to G1



Ported regulators for general purpose pneumatic applications

Relieving operation as standard

Non-rising adjusting knob on R07 with snap-action lock

Options include non-relieving models and alternative spring ranges

Technical data

Medium:

Compressed air only

Maximum inlet pressure:

20 bar (R07)

28 bar max. (20AG)

Gauge ports:

Rc1/8 (R07)

G1/8 (20AG)

Ambient temperature:

-34°C to +65°C (R07)

-20°C to +80°C (20AG)

Consult our Technical Service for use below +2°C

Materials

R07

Body: zinc alloy

Adjusting knob: acetal resin

Elastomers: nitrile

20AG

Body & bonnet: zinc alloy

Bottom plug: brass

Adjusting screw: steel plated

Elastomers: synthetic rubber

Alternative models

Other pressure ranges.

Adjusting screws

Non-relieving versions

Contact our Technical Service for details



R07



20AG

Port size	Flow (dm ³ /s)	Range (bar) ‡	kg	Model	Service kit
G1/8	6,5	0,3 ... 7	0,19	R07-100-RNKG	3407-02
G1/8	7,5*	0,5 ... 10	0,16	R07-105-RNMG	3407-29
G1/4	7,5*	0,5 ... 10	0,16	R07-205-RNMG	3407-29
G1/4	7	0,3 ... 7	0,19	R07-200-RNKG	3407-02
G1/2	60**	0,1 ... 3,5	1,40	20AG-X4G/PD100	20AG-X4-100
G1/2	60**	0,2 ... 8	1,30	20AG-X4G/PH100	20AG-X4-100
G1/2	60**	7 ... 16	1,29	20AG-X4G/PJ100	20AG-X4-100
G3/4	80**	0,1 ... 3,5	2,75	20AG-X6G/PD100	20AG-X8-100
G3/4	80**	0,2 ... 8	2,85	20AG-X6G/PH100	20AG-X8-100
G1	100**	0,1 ... 3,5	2,44	20AG-X8G/PD100	20AG-X8-100
G1	100**	0,2 ... 8	2,90	20AG-X8G/PH100	20AG-X8-100

Models listed include ISO G threads and relieving diaphragm.

* Maximum flow with 10 bar inlet pressure, 6,3 bar outlet pressure and a pressure droop of 1 bar.

** Maximum flow with 7 bar inlet pressure, 4 bar outlet pressure and a pressure droop of 1 bar.

‡ Can be adjusted to zero bar outlet pressure, and, generally, to pressures in excess of those specified.

For non-relieving models (R07) substitute 'N' for 'R' at the 7th digit, e.g. R07-100-~~N~~NKG.

For non-relieving models (20AG) delete 'X' from model no. e.g. 20AG-4G/PH100.

For G3/8 size use Excelon or Olympian units

Other pressure regulators are available to suit your application:

- R91 Series – miniature plastic regulators for potable water, non-potable water and compressed air – see page 487
- R30M Series – miniature plastic regulators featuring push-in ports as standard, for non-potable water and compressed air – ideal for manifold mounting – see page 487
- R06, R43 and 11-809 Series – brass units for potable and non-potable water – see page 487

We can also supply pressure regulators to suit your specific requirements,* for example:

- Pre-set regulators
- Units degreased for oxygen use
- Units with minimum and/or maximum pressure settings
- Units for low or high temperature applications

*Subject to quantity required, consult our Technical Service.

Accessories

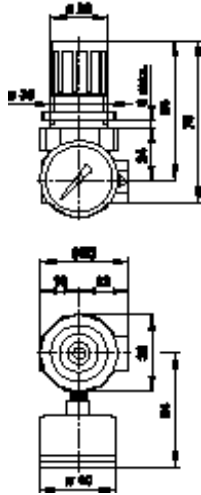
Series	Port size	Bracket kit	Gauge 0 ... 10 bar*	Panel mounting	Tamper resistant kit	Tamper-proof cap	Black plastic handwheel	Slotted adjusting screw
R07								
20AG	G1/2	18-025-003 (Includes nut 2962-89)	18-013-989	2962-89 (Nut only)	18-001-092	18-004-997	1192-99	1094-99
	G3/4, G1	18-001-005 18-001-029	18-013-013	18-003-026			1321-99	1095-02

* Other pressure ranges available – see page 486

Ported pressure regulators

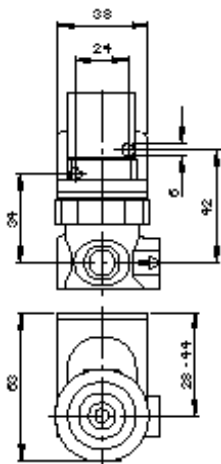
R07, 20AG
G $\frac{1}{2}$ to G1

R07

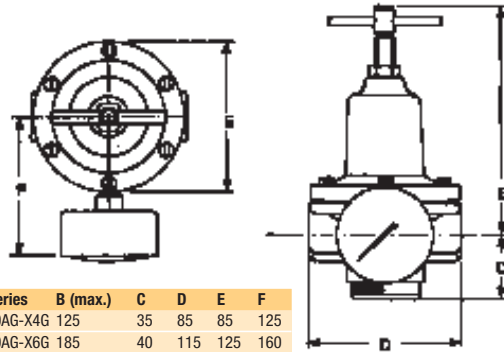


19 kg

Bracket mounting (R07)

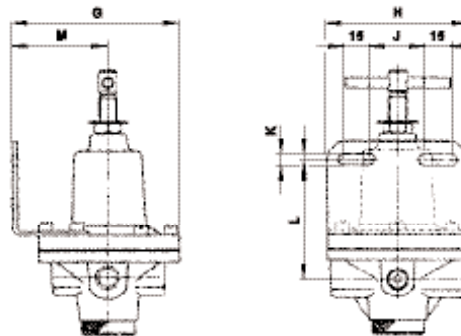


20AG



Series	B (max.)	C	D	E	F
20AG-X4G	125	35	85	85	125
20AG-X6G	185	40	115	125	160
20AG-X8G	185	40	115	125	160

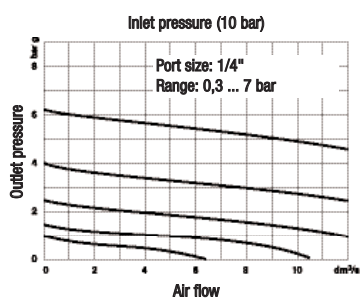
Bracket mounting (20AG)



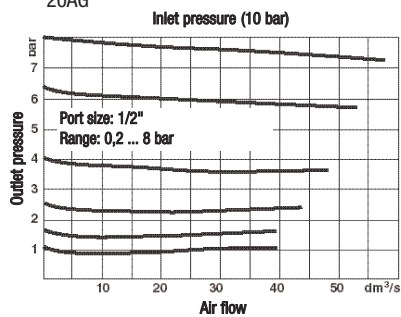
Series	G	H	J	K	L	M
20AG-X4G	100	85	30	7	70	55
20AG-X6G	140	125	65	8	80	75
20AG-X8G	140	125	65	8	80	75

Flow characteristics

R07



20AG



20AG

