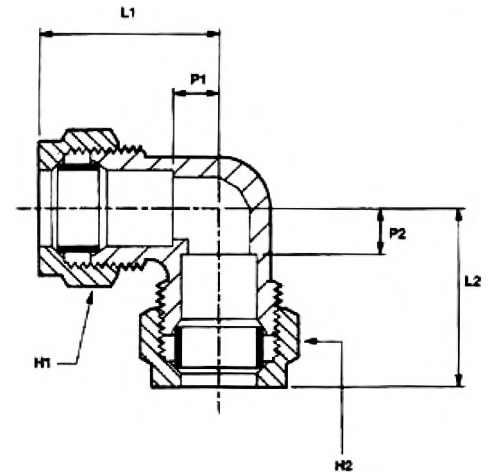


# Elbow, Imperial

# Wade



## Features & Benefits

- 90° Elbow configuration
- Enables connection of two tubes of the same outside diameter

Part No	Tube OD	Tube OD	L1 Length	L2 Length	H1 Hex A/F	H2 A/F	P1 Abutment	P2 Abutment
WADE-2000	1/8"	1/8"	0.718"	0.718"	0.445"	0.445"	0.25"	0.25"
WADE-2001	3/16"	3/16"	0.718"	0.718"	0.445"	0.445"	0.25"	0.25"
WADE-2003	1/4"	1/4"	0.812"	0.812"	0.601"	0.601"	0.25"	0.25"
WADE-2005	5/16"	5/16"	0.812"	0.812"	0.601"	0.601"	0.25"	0.25"
WADE-2008	3/8"	3/8"	1.031"	1.031"	0.82"	0.82"	0.375"	0.375"
WADE-2011	1/2"	1/2"	1.093"	1.093"	0.92"	0.92"	0.312"	0.312"