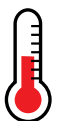
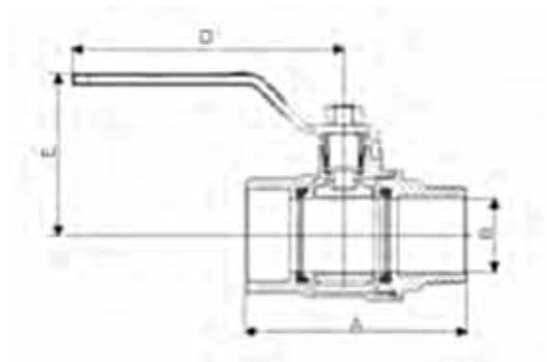


- Full Bore
- Long Thread
- Male x Female BSPP
- Flat Steel Handle
- PTFE Seal and O-Rings
- Brass Body and Stem Seal
- Hard Chrome-Plated Brass Ball



Dimension:

Size(mm)	1/4"	3/8"	1/2"	3/4"	1"	1-1/4"	1-1/2"	2"
DN	8	10	15	20	25	32	40	50
A	52	45	53	61	69	82	98	115
B	8	10	14	19	23	31	39.5	48
D	73	73	93	93	118	135	135	165
E	38	42	47	56	61.5	68	81	87.5
Weight in grams	113	146	200	276	415	704	1062	1489



Temperature Range:
-15 °C to + 120°C



Working Pressure:
25 Bar