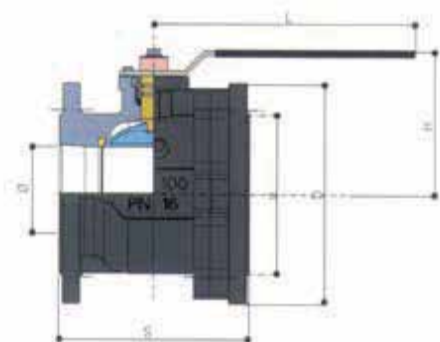
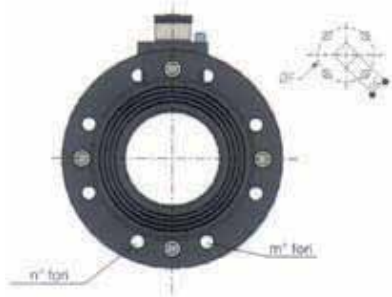
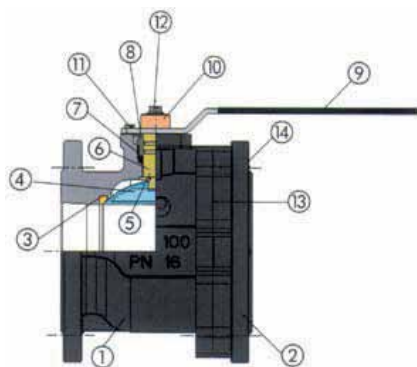


AIVD77100LB



Technical Data

Pressure 16 Bar

Working Temperature -10°C to +150°C

Dimensions in mm

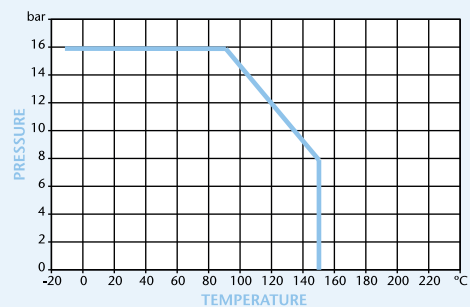
This data sheet is designed as a guide and should not be regarded as wholly accurate in every detail. We reserve the right to amend the specification of any product without notice.

Cast Iron Ball Valve Flanged Ends

Features

- Flange Mounting PN16 Only
- ISO 5211 Direct Mount (Not 200mm)
- Art 77/78 Plated Brass/Stainless Ball
- BS EN 558-1 Series 14

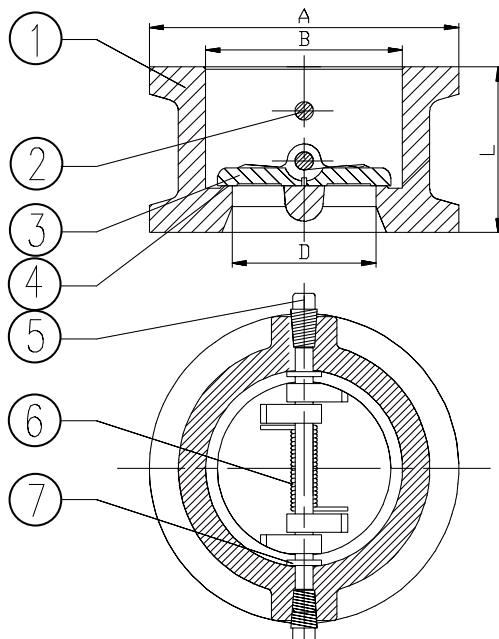
Pressure/Temperature



DN	20	25	32	40	50	65	80	100	125	150	200
Ø	20	25	32	40	50	61	74	95	120	145	200
S	120	125	130	140	150	170	180	190	200	210	400
H	73	77	82	92	99	121	130	144	185	204	325
L	200	200	200	240	240	260	260	260	450	450	700
D	105	115	140	150	165	185	200	220	250	285	340
a	75	85	100	110	125	145	160	180	210	240	295
ISO	F04	F04	F04	F05	F05	F07	F07	F07	F10	F10	N/A
ØF	42	42	42	50	50	70	70	70	102	102	N/A
□C	9	9	9	14	14	17	17	17	22	22	N/A
N-Mb	4xM12	4xM12	4xM16	4xM16	4xM16	4xM16	8xM16	8xM16	8xM16	12xM20	12x22
Torque	26	33	42	50	66	83	132	198	231	250	N/A
Kgs	3.0	3.8	5.4	6.0	7.5	12.0	14.5	18.2	32.0	39.5	94

N.	Part Name	Materials
1	Body	Cast Iron GG25
2	Flange	Cast Iron GG25
3	Seat	PTFE
4	Ball	CP Brass/Stainless Steel 304
5	Seal	PTFE
6	Stem	Steel
7	O-Ring	HNBR
8	Stem Seat	PTFE
9	Packing Nut	Brass
10	Handle	Steel PVC Coated
11	Cap	Brass
12	Screw	Steel Zinc Plated
13	Screw	Steel Zinc Plated
14	O-Ring	HNBR
15	Screw	Steel Zinc Plated

ACSC121200



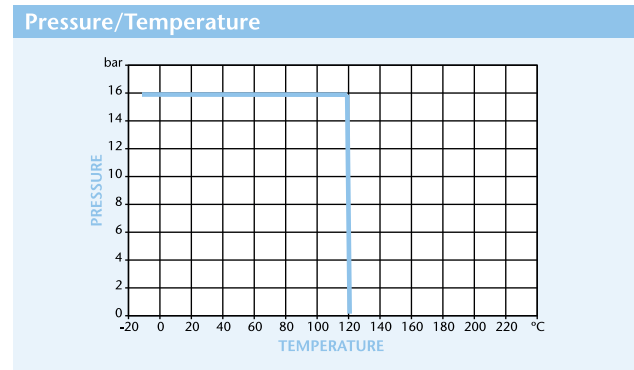
Technical Data	
Maximum Pressure	16 Bar
Working Temperature	-10°C to +120°C

Dimensions in mm
 This data sheet is designed as a guide and should not be regarded as wholly accurate in every detail. We reserve the right to amend the specification of any product without notice.

Cast Iron Dual Plate Wafer Check Valve

Features

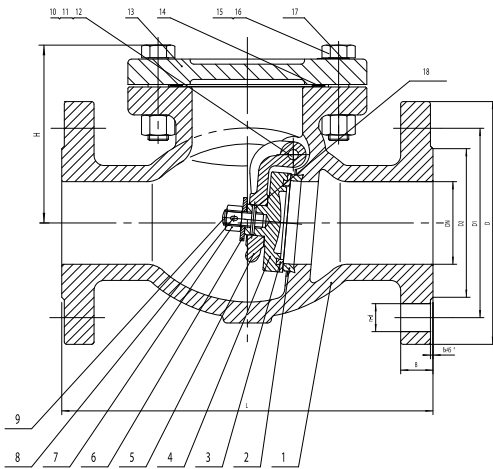
- Universal Flange Mounting PN10 PN16 ASA150
- Epoxy Coat Finish



DN	50	65	80	100	125	150	200	250	300
A	109	129	144	164	125	150	275	330	386
B	65	80	94	117	145	170	224	265	310
D	43	57	70	88	115	134	182	220	260
L	43	46	64	64	70	76	89	114	114
Kgs	1.5	2.4	3.6	5.7	7.3	9	17	26	42

N.	Part Name	Materials
1	Body	Cast Iron GG25
2	Shaft	Stainless Steel 316
3	Disc	Stainless Steel 316
4	Seat	EPDM
5	Plug	Stainless Steel
6	Spring	Stainless Steel 316
7	Washer	Stainlee Steel or PTFE

ACST170200



Technical Data

Maximum Pressure 16 Bar

Working Temperature -10°C to +230°C

Dimensions in mm

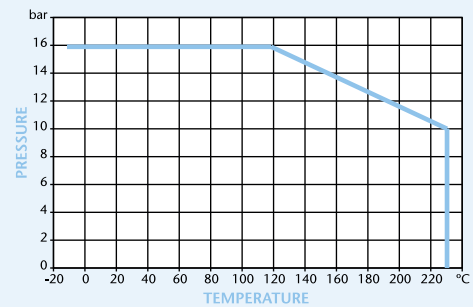
This data sheet is designed as a guide and should not be regarded as wholly accurate in every detail. We reserve the right to amend the specification of any product without notice.

PN16 Cast Iron Swing Check Valve

Features

- Flange Mounting PN16 Only
- BS5153 (BS EN 558-1 Series 10)

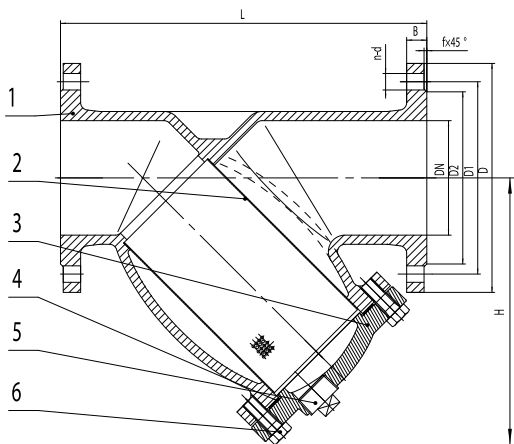
Pressure/Temperature



DN	50	65	80	100	125	150	200	250	300
L	203	216	241	292	330	356	496	622	699
D	165	185	200	220	250	285	340	405	460
D1	125	145	160	180	210	240	295	355	410
D2	99	118	132	156	184	211	266	319	370
B	20	20	22	24	26	26	30	32	32
n-d	4-19	4-19	8-19	8-19	8-19	8-23	12-23	12-28	12-28
f	3	3	3	3	3	3	3	3	4
H	112	132	141	162	192	211	270	316	357
Kgs	11.6	17.5	21.4	37	56.2	72.4	123	201	291

N.	Part Name	Materials
1	Body	Cast Iron GG25
2	Seat Ring	Cast Bronze
3	Disc Ring	Cast Bronze
4	Disc Ring	Cast Iron
5	Hanger	Cast Iron
6	Washer	Steel
7	Nut	Steel
8	Split Pin	Stainless Steel
9	Disc Screw	Steel
10	Side Pin	Brass
11	Gasket	Soft Steel Cardboard
12	Hanger Pin	Stainless Steel
13	Bonnet	Cast Steel
14	Gasket	Graphite
15	Bolt	Steel
16	Nut	Steel
17	Identification Plate	Aluminum
18	Pin	Stainless Steel

ACST185200



Technical Data

Maximum Pressure 16 Bar
 Working Temperature -10°C to +230°C

Dimensions in mm

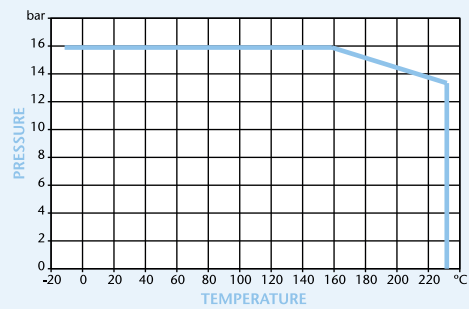
This data sheet is designed as a guide and should not be regarded as wholly accurate in every detail. We reserve the right to amend the specification of any product without notice.

PN16 Cast Iron "Y" Strainer

Features

- Flange Mounting PN16 Only
- BS EN 558-1 Series 1

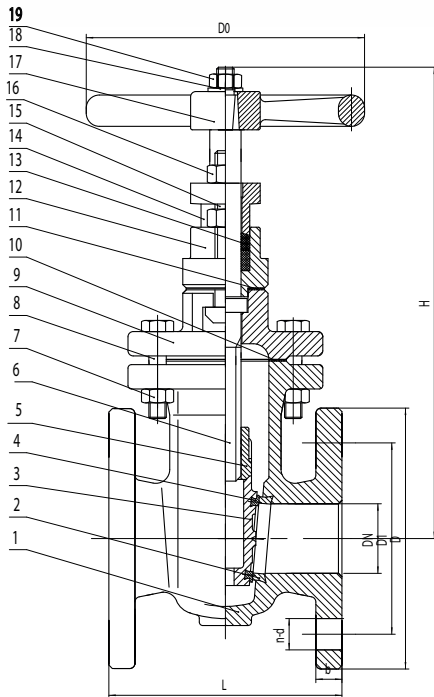
Pressure/Temperature



DN	50	65	80	100	125	150	200	250	300
L	230	290	310	350	400	480	600	730	850
D	165	185	200	220	250	285	340	405	460
D1	125	145	160	180	210	240	295	355	410
D2	99	118	132	156	184	211	266	319	370
B	20	20	22	24	26	26	30	32	32
f	3	3	3	3	3	3	3	3	4
n-d	4-19	4-19	8-19	8-19	8-19	8-23	12-23	12-28	12-28
H	156	176	199	240	292	320	399	516	568
Mesh	1.5	1.5	1.5	1.5	1.5	1.5	1.5	1.5	1.5
Kgs	10.1	14	20.3	26.6	39.8	57	97	164	234

N.	Part Name	Materials
1	Body	Cast Iron GG25
2	Screen	Stainless Steel
3	Bonnet	Cast Iron
4	Gasket	Graphite
5	Plug	Cast Brass
6	Bolt	Steel

ACST210200



Technical Data

Maximum Pressure 10 Bar
 Working Temperature -10°C to +180°C

Dimensions in mm

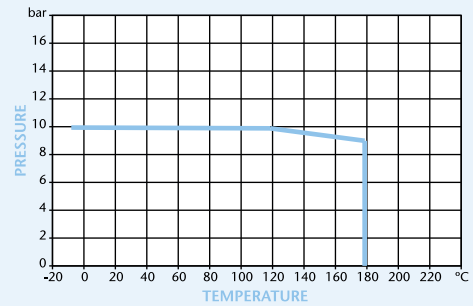
This data sheet is designed as a guide and should not be regarded as wholly accurate in every detail. We reserve the right to amend the specification of any product without notice.

BS 10 Cast Iron Gate Valve

Features

- Flange Mounting BS10 Table 'E' and 'D'
- BS3464
- Non Rising Stem

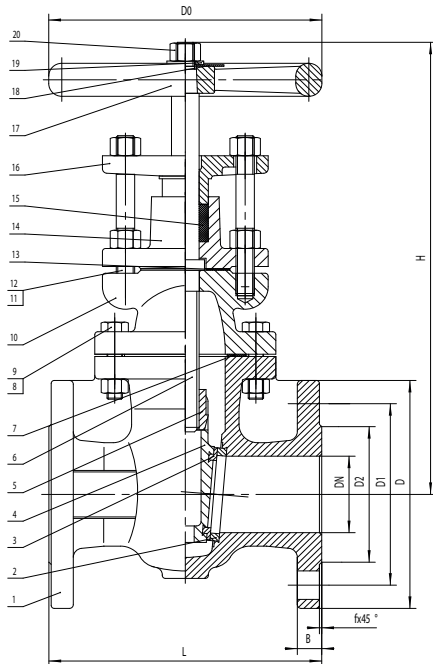
Pressure/Temperature



DN	50	65	80	100	125	150	200	250	300
L	146	159	165	171	190	210	241	273	305
D	155	175	185	210	250	280	330	400	445
D1	114	127	146	178	210	235	292	356	406
b	16	16	17	18	18	21	23	26	28
n-d	4-17.5	4-17.5	4-17.5	8-17.5	8-17.5	8-22.2	8-22.2	2-22.2	2-22.2
D0	160	160	160	200	250	250	250	320	320
H	292	324	360	380	454	490	578	711	767
Kgs	13.8	18.5	24.1	28.8	50	62	85.5	143	152

N.	Part Name	Materials
1	Body	Cast Iron GG25
2	Body Seald Ring	Cast Bronze
3	Wedge	Cast Iron
4	Wedge Seat Ring	Cast Bronze
5	Stem Nut	Cast Brass
6	Stem	Stainless Steel
7	Nut	Steel
8	Bolt	Steel
9	Bonnet	Cast Iron
10	Gasket	Graphite
11	Stuffing Box Gasket	Graphite
12	Stuffing Box	Cast Iron
13	Packing	Graphite
14	Gland Follower	Cast Iron
15	T-Bolt	Steel
16	Nut	Steel
17	Handwheel	Cast Iron
18	Washer	Steel
19	Nut	Steel

ACST235200



Technical Data

Maximum Pressure 16 Bar

Working Temperature -10°C to +230°C

Dimensions in mm

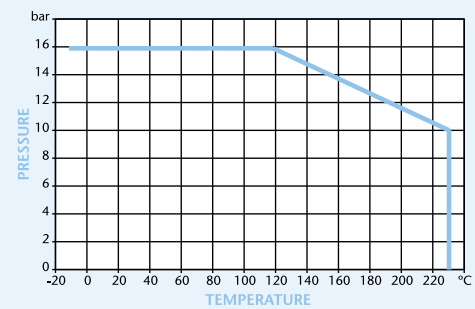
This data sheet is designed as a guide and should not be regarded as wholly accurate in every detail. We reserve the right to amend the specification of any product without notice.

PN16 Cast Iron Gate Valve

Features

- Flange Mounting PN16 Only
- BS5150 (BS EN 558-1 Series 3)
- Non Rising Stem

Pressure/Temperature



DN	50	65	80	100	125	150	200	250	300
L	178	190	203	229	254	267	292	330	356
D	165	185	200	220	250	285	340	405	460
D1	125	145	160	180	210	240	295	355	410
D2	99	118	132	156	184	211	266	319	370
B	20	20	22	24	26	26	30	32	32
n-d	4-19	4-19	8-19	8-19	8-19	8-23	12-23	12-28	12-28
f	3	3	3	3	3	3	3	3	4
D0	178	178	200	254	300	300	348	400	457
H	302	332	335	423	485	545	644	769	860
Kgs	16.5	21.6	26.5	47.2	68	87	118	197	275

N.	Part Name	Materials
1	Body	Cast Iron GG25
2	Body Sealed Ring	Cast Bronze
3	Wedge Sealed Ring	Cast Bronze
4	Wedge	Cast Iron
5	Stem Nut	Cast Brass
6	Stem	Brass
7	Gasket	Graphite
8	Bolt	Steel
9	Nut	Steel
10	Bonnet	Cast Iron
11	Studs	Steel
12	Nut	Steel
13	Stuffing Box Gasket	Graphite
14	Studs	Steel
15	Stuffing Box Gasket	Cast Iron
16	Packing	Graphite
17	Gland Follower	Ductile Iron
18	Handwheel	Cast Iron
19	Washer	Steel
20	Nut	Steel