

# Instantaneous Fire Hose Couplings



## Standard Collecting Breeching

Products available in:

**Light Alloy** - Natural Finish

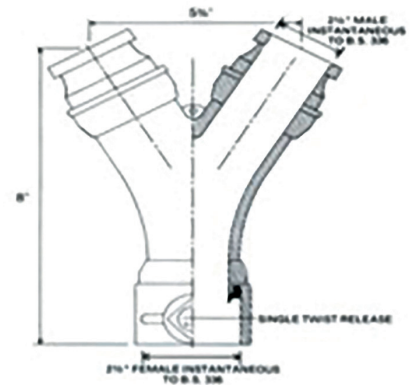
**Gunmetal** - Natural Finish

**Polished** and **Anodized** surface finishes are available for **Light Alloy** when specified

**Chrome plated** surface finish is available for **gunmetal** when specified

**Maximum Working Pressure:** 16 bar

**Maximum Test Pressure:** 24 bar



Part Number	Female Instantaneous 'A'	Male Instantaneous. 'B'	Length	C
FHSCBMMF212	2.1/2"	2.1/2"	8"	5.3/4"