

# MANUAL & MECHANICAL VALVES



## Installation & Application Data

- 1) Before installing, be sure the valve hasn't been damaged in transit.
- 2) Use clean air filtered to 40 $\mu$ m. Be aware of the flow direction & port size.
- 3) Please note whether the installation conditions meet the technical requirements (such as actuation frequency, working pressure & temperature) before installing the valve.
- 4) Notice the flow direction of air during installation, P is the air input, A (B) is the outlet port and R (S) is the exhaust port.
- 5) Avoid freezing temperature and vibration.
- 6) Before using fittings and tube make sure they are clean.

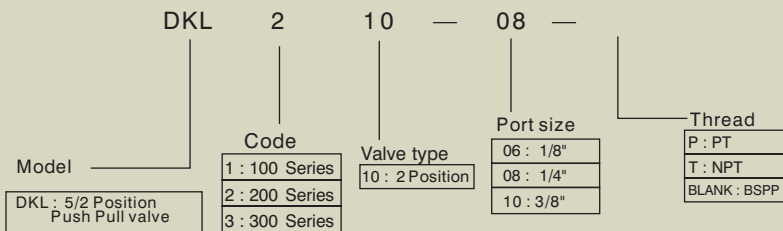
# MANUAL 5/2 WAY VALVES DKL SERIES

## Specification

Model	DKL110-06	DKL210-08	DKL310-10
Fluid	Air (to be filtered by 40 $\mu$ m filter element)		
Operating	Manual Control Direct Acting Type		
Port	1/8"	1/4"	3/8"
Orifice	14.0mm <sup>2</sup>	16.0mm <sup>2</sup>	30.0mm <sup>2</sup>
Valve Type	5/2		
Lubrication	Not Required		
Pressure Range	0-0.8 MPa (21-114psi)		
Proof Pressure	1.5 MPa (215psi)		
Temperature	-20 to +70°C		
Material of Body	Aluminium Alloy		



## Ordering Code



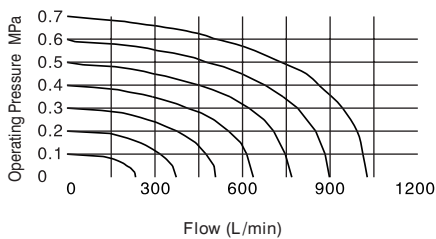
## Symbol

Push Pull

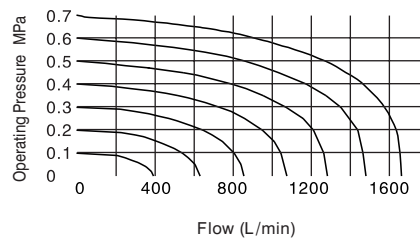


## Flow Charts

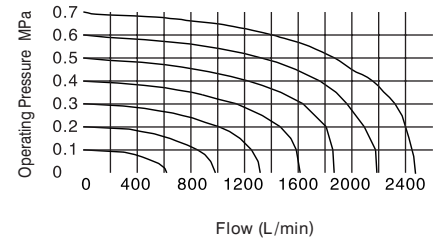
Model : DKL110-06



Model : DKL210-08

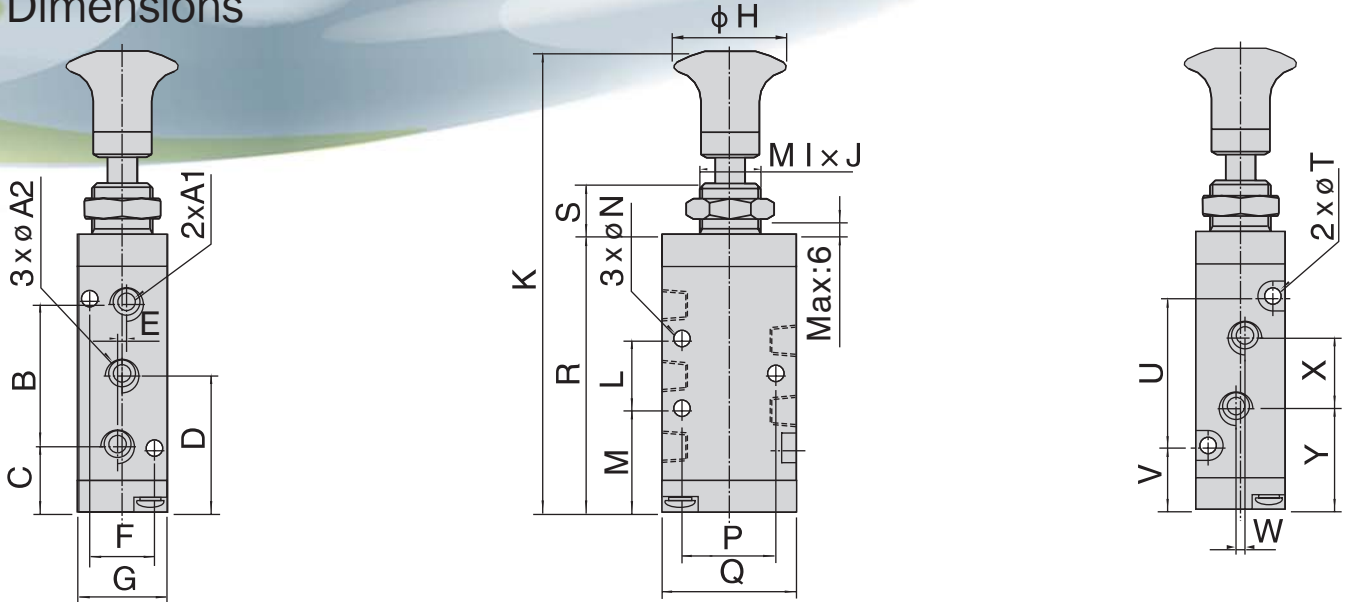


Model : DKL310-10



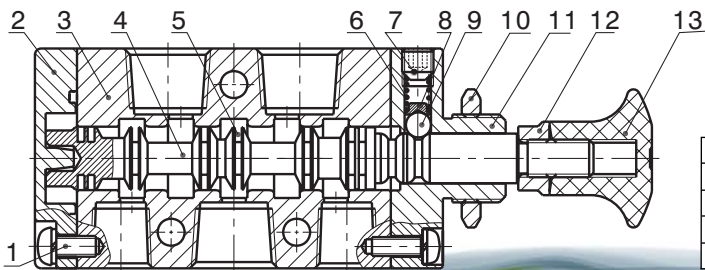
# MANUAL 5/2 WAY VALVES DKL SERIES

## Dimensions



Item/Model	DKL110	DKL210	DKL310	Item/Model	DKL110	DKL210	DKL310
	06	08	10		06	08	10
A1	1/8"	1/8"	1/4"	M	21.2	21.7	28
A2	1/8"	1/4"	3/8"	N	3.3	4.3	4.3
B	28	36	45	P	19	23.5	27.5
C	14.2	13.7	17.5	Q	27	35	40
D	28.2	31.7	40	R	58	65	80.8
E	2	0	0	S	10	10	10
F	13	17	20	T	3.3	3.3	4.3
G	18	22	27	U	30	38	50
H	22	22	25	V	13.2	12.7	15
I	12	14	16	W	3	3	4
J	0.75	1.0	1.0	X	16	21	24
K	90	98	115	Y	20.2	21.2	28
L	14	20	24				

## Inner Structure



No.	Item	No.	Item	No.	Item	No.	Item
1	Round Head Screw	5	O-ring	9	Steel Ball	13	Knob
2	End Cover	6	Spring	10	Hexagon Nut		
3	Body	7	Stop Screw	11	End Cover		
4	Spool	8	Spring Base	12	Safety Nut		