

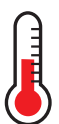
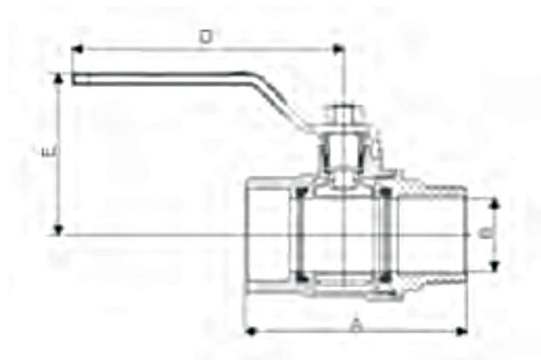


- Full Bore
- Long Thread
- Male x Female BSPP
- Flat Steel Handle
- PTFE Seal and O-Rings
- Brass Body and Stem Seal
- Hard Chrome-Plated Brass Ball



Dimension:

| Size(mm) | 1/4" | 3/8" | 1/2" | 3/4" | 1" | 1-1/4" | 1-1/2" | 2" |
|-----------------|------|------|------|------|------|--------|--------|------|
| DN | 8 | 10 | 15 | 20 | 25 | 32 | 40 | 50 |
| A | 52 | 45 | 53 | 61 | 69 | 82 | 98 | 115 |
| B | 8 | 10 | 14 | 19 | 23 | 31 | 39.5 | 48 |
| D | 73 | 73 | 93 | 93 | 118 | 135 | 135 | 165 |
| E | 38 | 42 | 47 | 56 | 61.5 | 68 | 81 | 87.5 |
| Weight in grams | 113 | 146 | 200 | 276 | 415 | 704 | 1062 | 1489 |



Temperature Range:
-15 °C to + 120°C



Working Pressure:
25 Bar