



Product description Pump BS-B

APPLICATION

The pump BS-B is ideally suitable for applications where long extended main line runs and a large number of friction points are to be reliably served from one central station.

In conjunction with distributors type ZV-B downstream the pump is predominantly used in dual-line centralized systems, but also as filling-or greasing pump.

PRODUCT CHARACTERISTICS

- Discharge pressure adjustable up to max. 400 bar
- High reliability due to forced control
- Discharge: 7, 14 and 22 liters/h, depends on driving speed
- Geared motors
- Long service life thanks to the use of wear-resistant high-grade steel
- Compact and rugged design
- Lubricant: grease, liquid grease
- Surface signal grey RAL 7004



FUNCTION

The pump can be supplied complete with a geared motor.

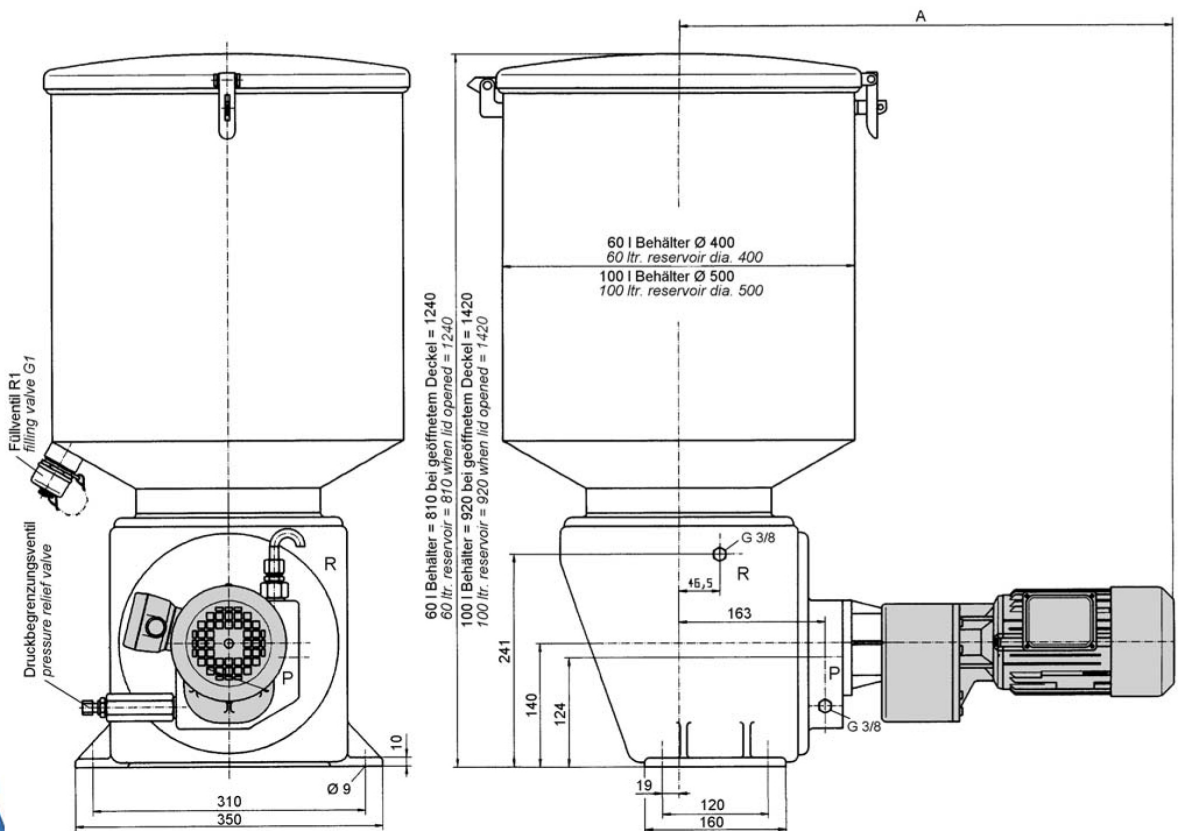
Basically it consists of a body with plunger assembly and reservoir. The rotation is converted inside the pump head into an oscillating movement. The BS-B double-acting pump has two pairs of plunger (feed pistons and pilot pistons) which move simultaneously into a common bore.

Whilst one pair of pistons is on the suction stroke in one bore, the other pair forces the lubricant in a second bore into the pressure channel. The pilot pistons are positively-controlled i.e. they are displaced mechanically into its end position following each cycle, thus preventing blocking, as is likely to occur with hydraulically-or spring-controlled plungers.

The required feed pressure is adjustable thanks to an integral pressure relief valve. In the event of an inadmissibly over-pressure situation occurring an additional safeguard (burst plates) is incorporated to protect the pump element from damage. The pump need not be bled.



A. PUMP TYPE	Code
	BSB
B. NUMBER OF OUTLETS	Code
1 outlets	01
C. REVISION	Code
Stage A	A
D. KINDS OF DRIVE	Code
Flange-mounted geared motor 220 - 240 / 380 - 415 / 50 Hz, 0.75 kW, 80 min ⁻¹ ; Dimension A = 563 mm	01
Flange-mounted geared motor 290 - 305 / 500 - 525 / 50 Hz, 0.75 kW, 80 min ⁻¹ ; Dimension A = 563 mm	02
Flange-mounted geared motor 220 - 240 / 380 - 415 / 50 Hz, 1.5 kW, 160 min ⁻¹ ; Dimension A = 575 mm	03
Flange-mounted geared motor 220 - 240 / 380 - 415 / 50 Hz, 1.5 kW, 250 min ⁻¹ ; Dimension A = 575 mm	04
Flange-mounted geared motor 220 - 240 / 380 - 415 / 50 Hz, 0.37 kW, 80 min ⁻¹ ; Dimension A = 500 mm	05
Flange-mounted geared motor UL / 3 / PE 115 V / 60 Hz, 0.75 kW, 80 min ⁻¹	21
Flange-mounted geared motor UL / 3 / PE 115 V / 60 Hz, 1.5 kW, 160 min ⁻¹	22
Flange-mounted geared motor UL / 3 / PE 115 V / 60 Hz, 1.5 kW, 250 min ⁻¹	23





E. POSITION OF DRIVE	Code
-----------------------------	-------------

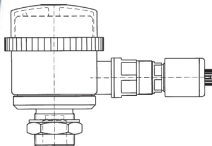
without	O
---------	---

F. RESERVOIR	Code
---------------------	-------------

60 liters	A
100 liters	B

G. ACCESSORIES	Code
-----------------------	-------------

without	00
Level switch	01



A level switch is available for the indication of the filling level in the reservoir. As sensor serves an ultrasonic sensor. As soon as the min. or max. level allowed has been obtained, a signal is released. With the help of a signal lamp at the reservoir, this signal can be used for the visual warning or for the control of an automatic filling facility.

In case of receiving the order, we will attach particular operating instructions to the level switch with the following code: BA_2005_1_GB_76951_6011.

Pressure gauge	02
Level switch and pressure gauge	03

EXAMPLE OF ORDER

Code											
B	S	B	0	1	A	0	1	O	A	0	1

Pump type BS-B	Code: BSB	
Number of outlet 1 outlet	Code: 01	
Revision Stage A	Code: A	
Kinds of drive Flange-mounted geared motor 220-240/380-415/50Hz 0.75kW, 80 min ⁻¹	Code: 01	
Position of drive without	Code: O	
Reservoir capacity 60 liters	Code: A	
Accessories Level switch for reservoir 60 liter	Code: 01	

**SPECIFICATIONS**

Discharge pressure adjustable up to max. : _____ 400 bar
Discharge volume at : 80 min⁻¹ : _____ 120 cm³/min (7 l/h)
 160 min⁻¹ : _____ 235 cm³/min (14 l/h)
 250 min⁻¹ : _____ 365 cm³/min (22 l/h)
Max. rpm geared motor version : _____ 250 min⁻¹
Direction of rotation of the pump : _____ clockwise or anticlockwise
Reservoir capacity : _____ 60 or 100 l
Operating temperature according to type : _____ - 20° C up to + 80° C
Compatible lubricants : _____ up to NLGI-class 3 DIN 51818
Integral strainer : _____ strainer area 40 cm², wire mesh size 0.4 x 0.18 DIN 4189
Integral pressure relief valve : _____ range from 0 up to 450 bar, adjusted to 400 bar