

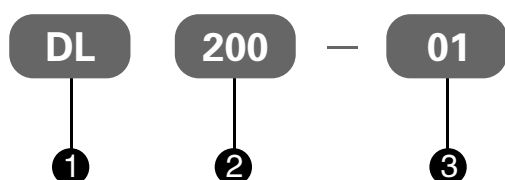
Professional Intelligence

Lubricator

Specification:

Type	DL100-M5,01	DL200-01,02,03	DL400-03,04,06	DL600-06,08
Port size G	M5 · 1/8"	1/8" · 1/4" · 3/8"	3/8" · 1/2" · 3/4"	3/4" · 1"
Fluid	Compressed Air			
Operating pressure range MPa	0.15~0.85	0.15~1.2		
Max.Flow rate L/min	500	2000	4000	11500
Ambient temperature °C	-10~60			
Structure	Overflow type			
Guard cup	-	●	●	●

How to order:

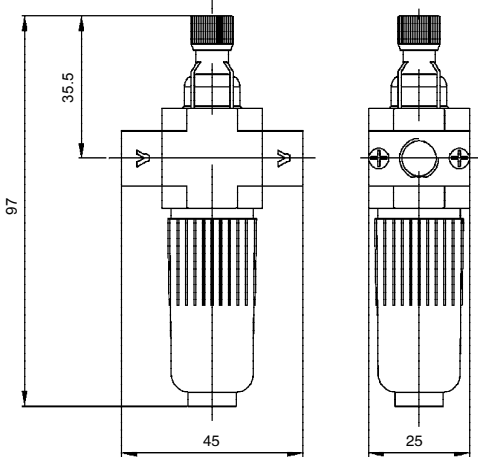


①	DL Lubricator
②	Type: 100,200,400,600
③	Port size: M5,01:G1/8",02:G1/4",03:G3/8",04:G1/2",06:G3/4",08:G1"



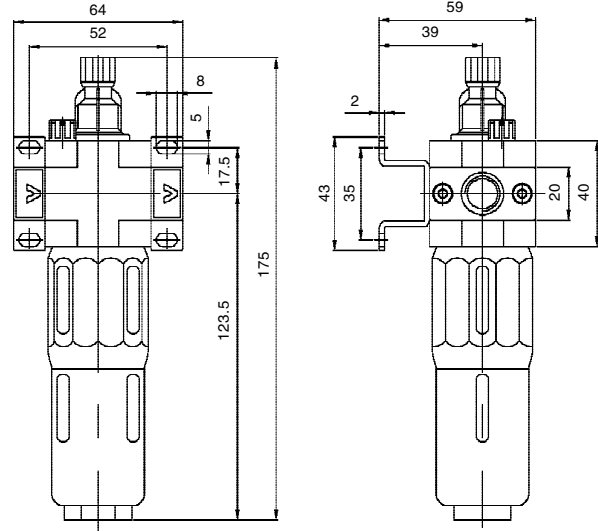
Dimension(mm):

DL100-M5、01

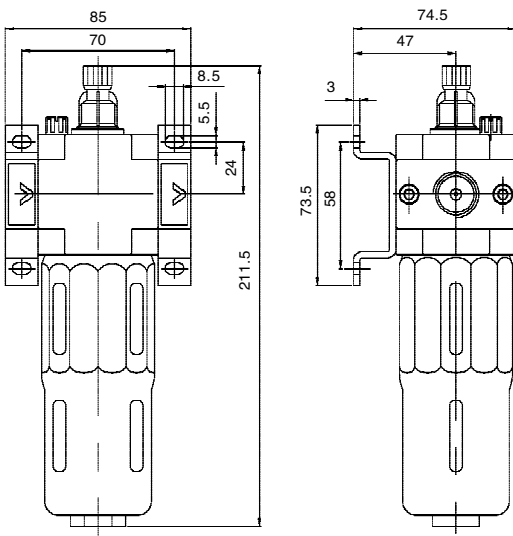


M5 is without connector

DL200-01、02、03



DL400-03、04、06



DL600-06、08

