



Reservoir Accessories

Oil Level Sight Glasses

- Shock Resistant
- Transparent polyamid reflector
- Anodized aluminum reflector
- Operating Temp: 100°C
- Buna-N seal
- For use with mineral, petroleum and water-based fluid
- Any contact with alcohol or solvents must be avoided

On Request:
Rubber gasket (NBR)

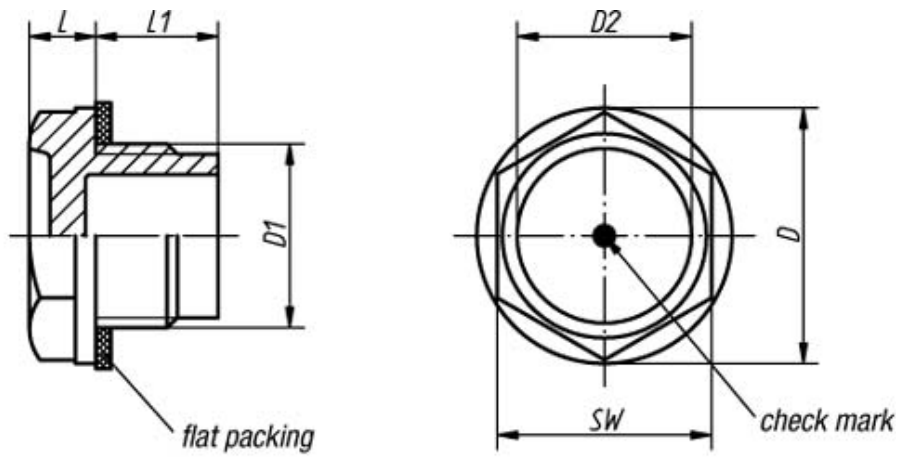


Oil Level Sight Glasses

Order No.	Form	D	D1	D2	L	L1	SW	Tightening torque max. Nm	Approx. weight kg
K5604120014	A	20	G 1/4	15	7	8	17	6	0,002
K5604122038	A	22	G 3/8	14	6,5	10,5	18	8	0,004
K5604128012	A	28	G 1/2	16	8	11	24	12	0,006
K5604135034	A	35	G 3/4	21	8	12	30	16	0,008
K5604143100	A	43	G 1	32	11	12	36	-	0,012
K5604151114	A	51	G 1 1/4	33	10	16	42	-	0,020
K5604158112	A	58	G 1 1/2	40	12	16	50	-	0,026
K5604174200	A	74	G 2	48	12	22	64	-	0,052
K56041201415	A	20	M14x1,5	15	7	8	17	7	0,002
K56041221615	A	22	M16x1,5	14	6,5	10	18	8	0,003
K56041251815	A	25	M18x1,5	16	7	10,5	21	10	0,003
K56041282015	A	28	M20x1,5	18	7,5	11	24	16	0,004
K5604222038	B	22	G 3/8	14	6,5	10,5	18	8	0,004
K5604228012	B	28	G 1/2	16	8	11	24	12	0,006
K5604235034	B	35	G 3/4	21	8	12	30	16	0,008
K5604243100	B	43	G 1	32	11	12	36	-	0,012
K5604251114	B	51	G 1 1/4	33	10	16	42	-	0,020
K5604258112	B	58	G 1 1/2	40	12	16	50	-	0,026
K5604274200	B	74	G 2	48	12	22	64	-	0,052
K56042221615	B	22	M16x1,5	14	6,5	10	18	8	0,003
K56042251815	B	25	M18x1,5	16	7	10,5	21	10	0,003
K56042282015	B	28	M20x1,5	18	7,5	11	24	16	0,004

Construction data

Form A
without reflector



Form B
with reflector

