

Ported Precision Pressure Regulators



- 11-818† compact, high precision regulators for air gauging, laboratory use and precise pilot control.

† Not recommended for dead end use, consult our Technical Service for details.

Medium: Compressed Air Only

Body & Bonnet: Zinc Alloy

Adjusting Knob: Acetal Resin

Elastomers: Nitrile

 **Ambient Temperature:**

-20°C to +80°C

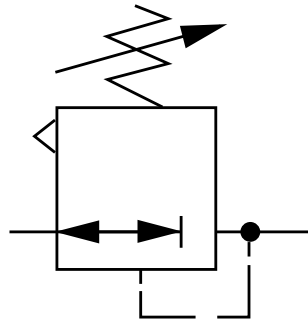
Consult our Technical Service for use below +2°C



Inlet Pressure:

0-14 bar (11-818-110)

0-8 bar (11-818-999)



11-818, BSPP

Part code	Thread	Accuracy bar	Compound gauge	Operation
B72G-2GK-AL3-RMN	G1/4	38	40	Transparent
B72G-2GK-QT3-RMN	G1/4	38	40	Transparent
B73G-3GK-AT3-RMN	G3/8	50	40	Transparent
B74G-4GK-AP3-RMN	G1/2	100	40	Guarded Transparent
B74G-4GK-QP3-RMN	G1/2	100	40	Guarded Transparent