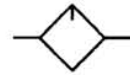


# Professional Range Mark 2 Lubricator



## Specification:



Type	FM2-20-01-L	FM2-30-02-L	FM2-40-03-L FM2-40-04-L	FM2-50-06-L / FM2-50-10-L
Port size G	1/8" · 1/4"	1/4" · 3/8"	3/8" · 1/2"	3/4" · 1"
Gauge thread G	1/8"		1/4"	
Fluid	Air			
Operating pressure range MPa	0.15–0.85			
Max. Flow rate L/min	500	1700	3000	5000
Ambient temperature °C	–10–60			
Filter precision	ISO VG32			
Cup material	Polycarbonate			
Guard cup	–	●	●	●

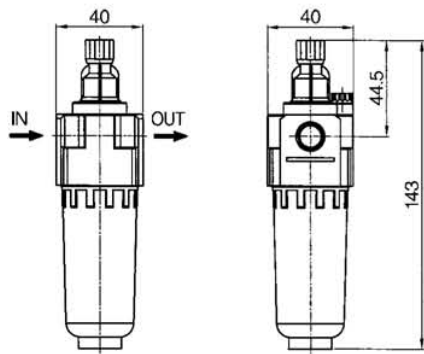


Notes 1: The guard cup of AL200A series can be optional; 2: The cups of AL200A, AL300A series can be optional

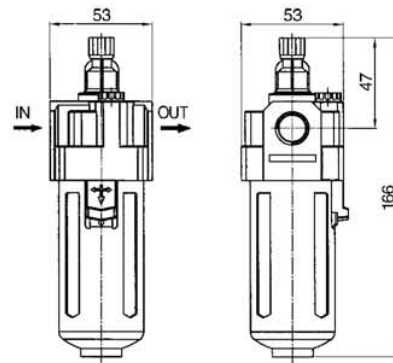


## Dimension(mm):

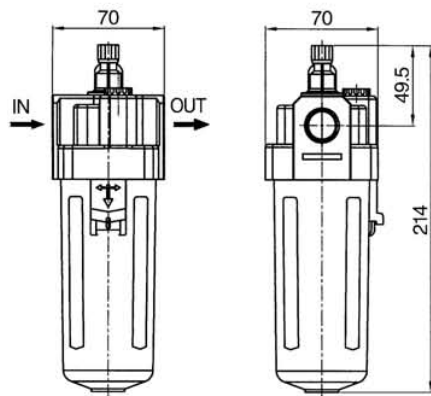
FM2-20-01-L



FM2-30-02-L



FM2-40-03-L & FM2-40-04-L



FM2-50-06-L & FM2-50-10-L

