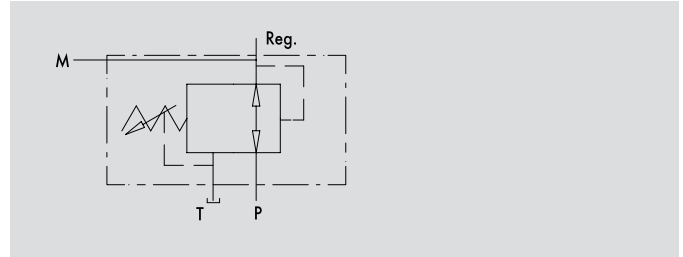
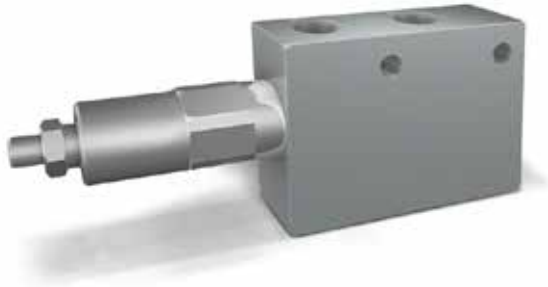


Pressure Reducing Valve, Direct Acting Popper

TIPO / TYPE
VRP

SCHEMA IDRAULICO
HYDRAULIC DIAGRAM



PRESSURE REDUCING VALVE, DIRECT ACTING POPET

USE AND OPERATION:

This valve allows to preserve constant the pressure downstream, regardless of the upstream pressure.

MATERIALS AND FEATURES:

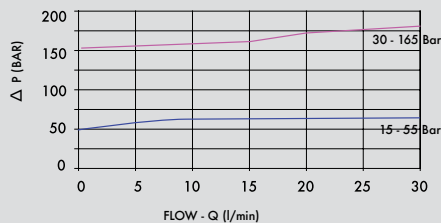
Body: zinc-plated steel.
Internal parts: hardened and ground steel.
Seals: BUNA N standard
Leakage: 70 cc/min (350 Bar to port P)

APPLICATIONS:

Connect P to the main circuit, the port Reg. to the circuit where you want to reduce pressure and port T to the tank.

PRESSURE /FLOW

Oil temperature: 50° C - Oil viscosity: 30 cSt



CODICE
CODE

SIGLA
TYPE

PORTATA MAX
MAX FLOW
Lt. / min

PRESSIONE MAX
MAX PRESSURE
Bar

PREDV06

VRP 3/8"

30

350

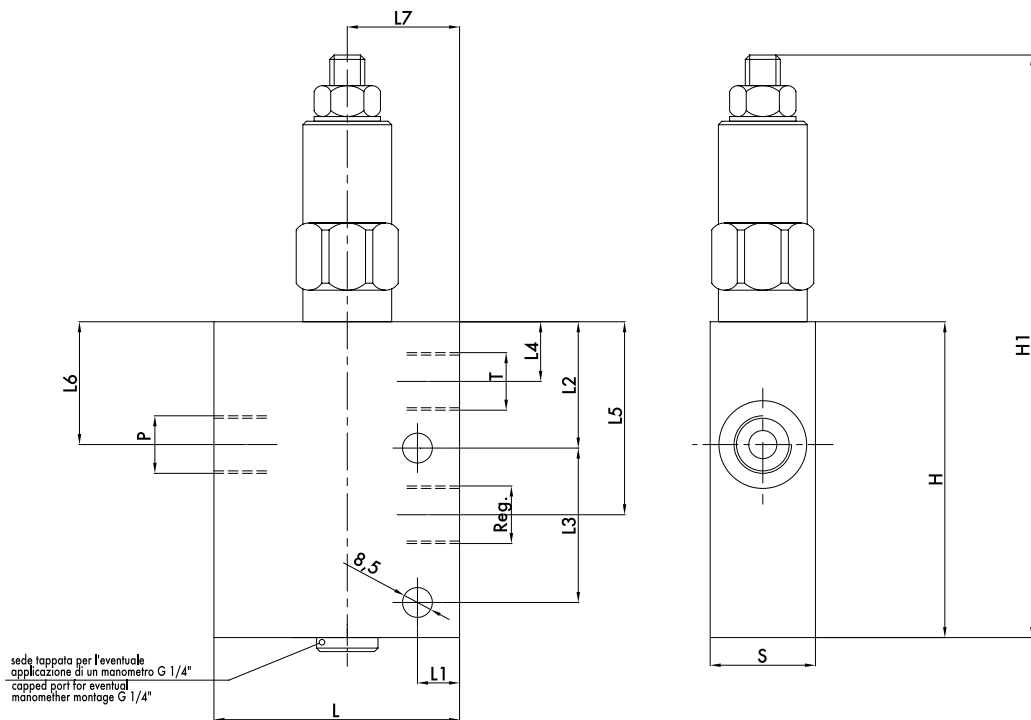
PREDV08

VRP 1/2"

30

350

*000 = specificare valore della molla desiderata. Vedi tabella sotto.
*000 = please specify the desired setting range. See the table below.



| CODICE CODE | SIGLA TYPE | P - T - Reg GAS | L mm | L1 mm | L2 mm | L3 mm | L4 mm | L5 mm | L6 mm | L7 mm | H mm | H1 mm | S mm | PESO/ WEIGHT Kg |
|----------------|---------------|--------------------|---------|----------|----------|----------|----------|----------|----------|----------|---------|----------|---------|-----------------------|
| PREDV06 | VRP 3/8" | 3/8" | 70 | 12 | 36 | 44 | 17 | 55 | 35 | 32 | 90 | 168 | 30 | 1,530 |
| PREDV08 | VRP 1/2" | 1/2" | 70 | 12 | 36 | 44 | 17 | 55 | 35 | 32 | 90 | 168 | 30 | 1,468 |

CODICE
CODE

CAMPO DI TARATURA
SETTING RANGE (Bar)

COD/055

15 - 55

COD/165

30 - 165

REGOLAZIONE - ADJUSTEMENT

CODICE/V • CODE/V

Volantino • Handknob

CODICE/PP • CODE/PP

Predisposizione alla piombatura • Arranged for sealing cap

CODICE/P • CODE/PP

Piombatura • Sealing cap