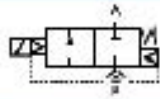


2/2 WAY PILOT OPERATED SOLENOID VALVE, G 1/4" ÷ G 1"



normally closed

TYPE: B203/204/205/206/222

TECHNICAL SPECIFICATIONS

Media:	water, oil, air
Media temperature:	-10°C ÷ +90°C
Ambient temperature:	-10°C ÷ +50°C
Body material:	brass (CW617N EN 12165)
Operator material:	stainless steel
Operator seal material:	NBR
Seal and diaphragm material:	NBR
Coil power:	AC 10vA (holding) AC 16vA (inrush) DC 7W
Protection class:	IP 65 (with connector)

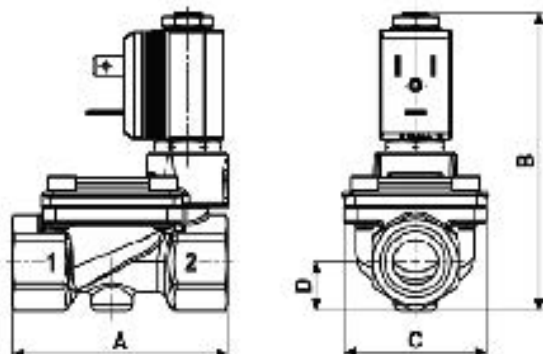
OPTIONS

Normally open (e.g. code RB206DBY)
Manual override (e.g. code B204DBZM)
Speed control screw (only for B208DBY and B222DBY)
EPDM seal for air and hot water MAX 120°C (e.g. code B204DEZ)
FKM seal for air, water, oil MAX 130°C (e.g. code B204DYZ)
Version with operator ø 14,5 and coil type 7000 available upon request (e.g. code D205DBZ)
Version for vacuum only operator ø 14,5 (e.g. code D203DBZL)



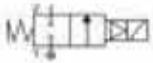
SELECTION TABLE

VALVE	G connection	nominal diameter	flow rate	OPD			COILS	
				rate	max AC	max DC	code	[Volts/Hz]
code	[ISO 228 G]	[mm]	[l/min]	[bar]	[bar]	[bar]	code	[Volts/Hz]
B203DBZ	1/4"	13	26	0.3	18	18	2250	24v DC
B204DBZ	3/8"	13	55	0.3	16	16	2200	24v 50/60Hz
B205DBZ	1/2"	13	83	0.3	18	18	2400	110v 50Hz - 120v 60Hz
B208DBZ compact	3/4"	21	100	0.3	18	18	2800	200v 50Hz - 220v 60Hz
B208DBY	3/4"	25	140	0.3	18	18	2700	230v 50Hz - 240v 60Hz
B222DBY	1"	25	180	0.3	18	18		



DIMENSIONS & WEIGHTS

G connection	A	B	C	D	weight
[ISO 228 G]	[mm]	[mm]	[mm]	[mm]	[kg]
1/4"	67	90	45.6	15	0.4
3/8"	67	90	45.6	15	0.4
1/2"	67	90	45.6	15	0.4
3/4" compact	82	105	51.6	20.25	0.6
3/4"	98	115	72	23	1.2
1"	98	115	72	23	1.2



normally closed

TYPE: D223/224/225

TECHNICAL SPECIFICATIONS

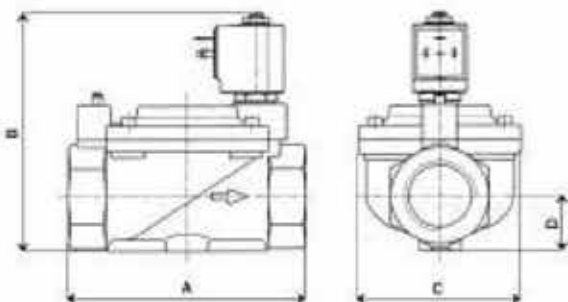
- Media: water, oil, air,
- Media temperature: -10°C ... +90°C
- Ambient temperature: -10°C ... +50°C
- Body material: brass (CW617N EN 12165)
- Operator material: stainless steel
- Operator seal material: FKM
- Seal and diaphragm material: NBR
- Coil power: AC 18VA (holding)
- AC 36VA (inrush)
- DC 14W
- Protection class: IP 65 (with connector)
- Speed control screw as standard

OPTIONS

- Normally open (Ex. code BD224DBK)
- Manual override (Ex. code D223DBKM)
- EPDM seal for air and hot water MAX 120°C (Ex. code D223DEK)
- FKM seal for air, water, oil MAX 130°C (Ex. code B204DYZ)



SELECTION TABLE	VALVE		Nominal Diameter	Flow rate kv	min	OPD		COILS	
	Code	G connection				max	AC	DC	Code
	D223DBK	1 1/4"	40	420	0.5	16	16	7250	24/DC
	D224DBK	1 1/2"	40	480	0.5	16	16	7200	24/50 – 60
	D225DBJ	2"	50	600	0.5	16	16	7400	110/50 – 120/60
								7600	200/50 – 220/60
								7700	230/50 – 240/60



DIMENSIONS & WEIGHTS	G connection	A	B	C	D	weight
		(mm)	(mm)	(mm)	(mm)	(Kg)
	1 1/4"	140	140	96	31	2.8
	1 1/2"	140	140	96	31	2.8
	2"	168	158	112	39	3.9