



Reservoir Accessories

Vent Screws

Material, surface finish:

Housing in black thermoplastic polyamide 66;
cap in red thermoplastic polyamide 66;
air filter (only Form B) in polyurethane (PU foam), filter fineness 60 μm ;
O-ring in rubber (NBR)

Note:

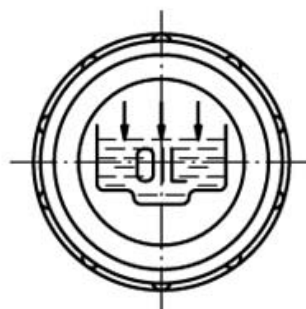
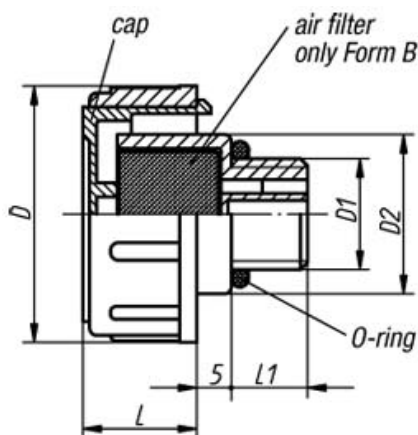
Temperature resistant with oil up to 100 °C, with water up to 70 °C.
The removeable cap allows easy cleaning of the air filter.



Vent Screws

Order No.	Form	D	D1	D2	L	L1	Approx. weight kg
K5634136038	A	36	G 3/8	23	17	11	0,012
K5634141012	A	41	G 1/2	28	18	12	0,018
K5634147034	A	47	G 3/4	33	17	12	0,024
K5634152100	A	52	G 1	38	20	12	0,036
K5634163114	A	63	G 1 1/4	49	23	13	0,056
K5634163112	A	63	G 1 1/2	55	23	13,5	0,060
K56341361615	A	36	M16x1,5	23	17	11	0,014
K56341411815	A	41	M18x1,5	28	17,5	12	0,016
K56341412015	A	41	M20x1,5	28	17,5	12	0,018
K56341412215	A	41	M22x1,5	28	17,5	12	0,018
K5634236038	B	36	G 3/8	23	17	11	0,012
K5634241012	B	41	G 1/2	28	18	12	0,018
K5634247034	B	47	G 3/4	33	17	12	0,024
K5634252100	B	52	G 1	38	20	12	0,036
K5634263114	B	63	G 1 1/4	49	23	13	0,056
K5634263112	B	63	G 1 1/2	55	23	13,5	0,060
K56342361615	B	36	M16x1,5	23	17	11	0,014
K56342411815	B	41	M18x1,5	28	17,5	12	0,016
K56342412215	B	41	M22x1,5	28	17,5	12	0,018

Construction data



Form A
without air filter

Form B
with air filter