



Equal Female Tee

Equal Female Tee

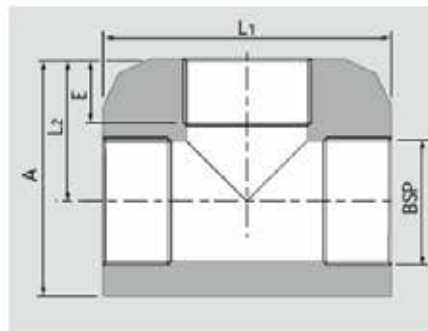
Features:

- Solid Piece Elbow
- Compact Full Flow
- High Working Pressure
- Mild Steel - High Grade Material
- Sealing face and threads machines to high tolerance
- High Level Corrosion Resistance Plating (CR3 compliant)
- Available in Stainless Steel 316 or Cupro Nickel



Benefits:

- Reliable
- Highly resistant to leakage even under severe vibration, pressure pulsation and temperature
- No Brazed parts



BSP	Part No	L1 mm	L2 mm	E mm	A mm	Body A/F mm	Max WP Bar
1/8	KREFT2	35	17	10	27	19	680
1/4	KREFT4	41	21	11	33	25	680
3/8	KREFT6	48	24	13	37	25	680
1/2	KREFT8	57	29	16	44	32	680
3/4	KREFT12	70	35	19	56	41	680
1	KREFT16	83	41	21	67	51	500
1-1/4	KREFT20	89	44	21	73	64	500
1-1/2	KREFT24	105	52	25	83	64	500
2	KREFT32	127	64	30	102	76	500