



# Reservoir Accessories

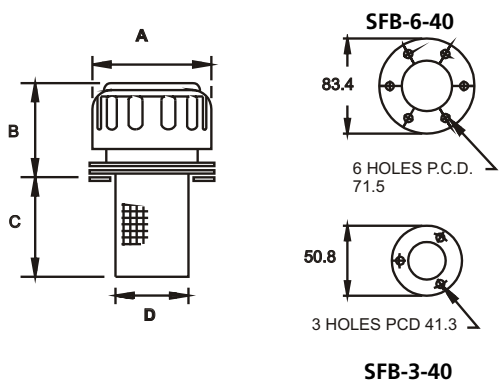
## Breather - SFB

### Specification:

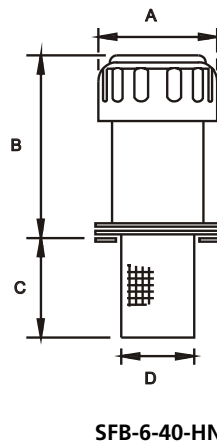
- Chrome plated steel cap - vents underneath
- Alternately cap finish zinc blue (ROHS)/powder coated
- Filtration 40 microns standard/optional 10 & 3 microns
- Air flows to 25 CFM (750 LPM)
- Rugged cast aluminium housing (for BM model)
- Metal strainer - standard
- Hardware includes gaskets & (10-32) screws



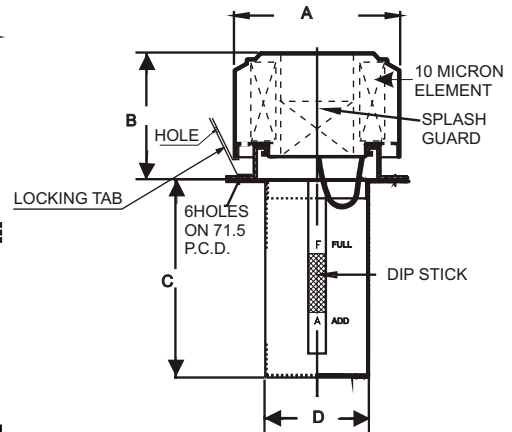
FLANGE TYPE



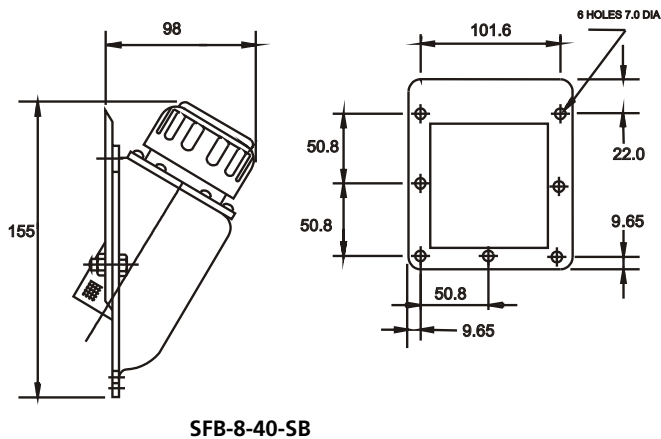
FLANGE TYPE HIGH NECK



OPTIONAL FEATURES



SIDE MOUNT



# OPTIONAL / SPECIAL FEATURE (CONSULT FACTORY) - OMIT IF NOT REQUIRED



# Reservoir Accessories

## Breather - FSB/TB

MODEL	DISPLACEMENT		RATING	A	B	C *	D	WT
			MICRONS					KGS
SFB-3-40	150	LPM	40	45	49	65	28	0.10
SFB-6-40	720	LPM	40	77	62	91	48	0.25
SFB-6-40-HN	720	LPM	40	77	122	91	48	0.40