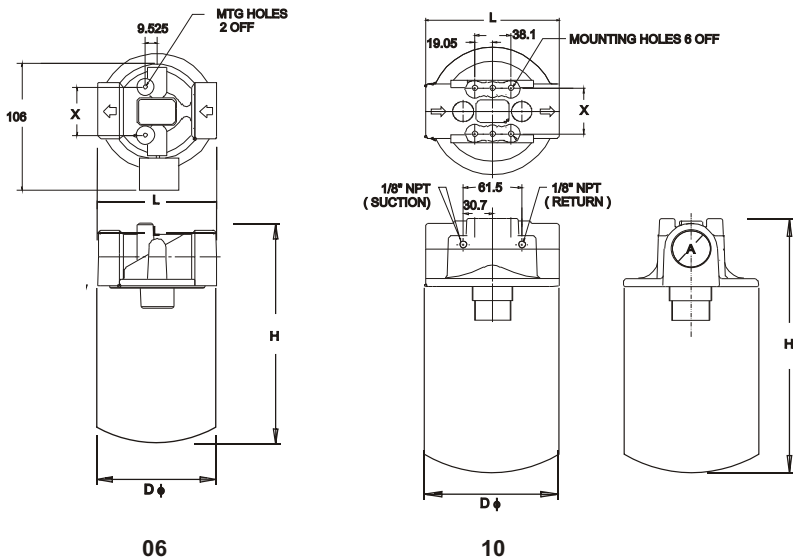




Filter - Inline Spin on - IFR3

- Disposable spin on element
- Die cast aluminium head
- 5 sizes flows to 200 LPM
- Max. pressure 10 bar/Test 15 bar/burst 20 bar
- By pass standard 1 bar (suction 0.2 bar)
- Maximum temperature 80°C
- For use with mineral/petroleum based oils

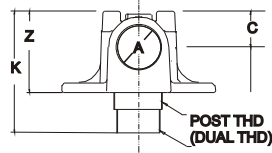
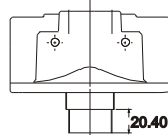
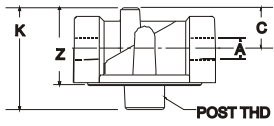


Model Code: Assembly

Model Code SP***	L	D	H	X	Mounting Holes		Gauge Post		Weight Kgs
					No	Size	No	NPT	
1/2" to 1"	95	93	188	38.1	2	M6 x 1.0 1/4"- 20UNC (Std)	2	1/8"	0.8
									1
									1.2
1.1/4"	140	129	250	47.6	6	M8 x 1.25 5/16"- 18UNC (Std)		2.3	
								2.5	

Model Code: Assembly

SPR	06	-10	-35
Series	Port Connection	Filtration Microns	Size Elements
R (Return) S (Suction)	-08	1/2" BSPP	35 LPM
	-12	3/4" BSPP	70 LPM
	-16	1" BSPP	10A - ABS
	-20	1.1/4" BSPP	25A - ABS
			125M - Mesh



DUAL THREAD (1-1/4 BSPP & 1-1/2 UN)

IF*3.06



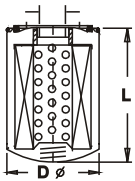
IF*3 - 10



Model Code: Head Casting

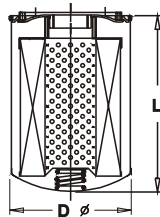
Model	Port Thread		Post Thread	C	K	Z	Weight (Kgs)
S*FH	08	1/2" BSPP	3/4" BSPP	28	68	50	0.5
	12	3/4" BSPP					
	16	1" BSPP					
	20	1.1/4" BSPP	1.1/4" BSPP	32	106	70	1.1

B - 3/4" BSP
OR
U - 1" UNF X 12 T.P.I.



S/E - 20 - ** - *

1 - 1/4" BSPP



IFE - 50 - ** - B

Model Code: Element

Cartridge	D	L	Filtration Area cm ²			Weight (Kgs)
			10/25	10A/25A	125M	
SE-035-**-12	93	100	1500	1200	650	0.4
SE-070-**-12	93	146	2300	1840	900	0.6
SE-100-**-12	93	212	4200	3300	1250	0.8
SE-150-**-20	129	180	5600	3900	2000	1.2
SE-200-**-20	129	227	7850	4800	2400	1.4