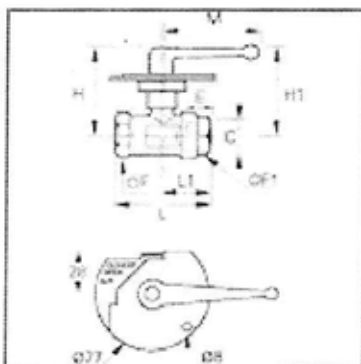


## 0432 - IN-LINE DOUBLE FEMALE, BSPP



In-line ball valve for opening and closing a fluid system. It is possible to add a padlock for securing the ball valve and thus preventing potentially dangerous, unwanted operation.

- full flow
- optimum sealing due to compensating "O" rings
- excellent resistance to scaling due to ball seal configuration

<b>maximum working pressure</b>	40 bar 4 MPa 580 psi
<b>working temperature</b>	-20 to 80 °C -4 to 176 °F 253 to 353 °K
<b>body</b>	NICKEL PLATED BRASS
<b>retaining nut</b>	NICKEL PLATED BRASS
<b>stem</b>	BRASS
<b>stem seal</b>	NBR
<b>'O'-rings</b>	NBR
<b>ball seal</b>	NBR
<b>handle</b>	ZAMAK
<b>lockable plate</b>	ZINC-PLATED STEEL

Part No	C	E (mm)	F (mm)	F1 (mm)	H (mm)	H1 (mm)	L (mm)	L1 (mm)	M (mm)
LE-0432 10 17	G3/8	12	24	24	60	55	59	31	69
LE-0432 13 21	G1/2	15	27	27	62	57	67	34	69
LE-0432 20 27	G3/4	16.5	32	38	66	56	80	39	108
LE-0432 23 34	G1	19	41	46	70	59	94	47	108