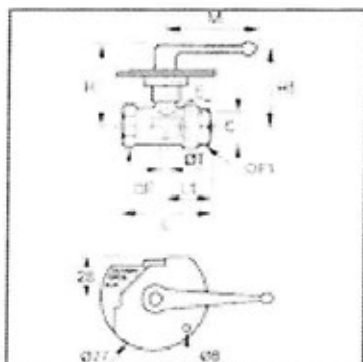


0439 - DOUBLE FEMALE WITH VENT, BSPP



In-line ball valve for opening and closing a fluid system. It is possible to add a padlock for securing the ball valve and thus preventing potentially dangerous, unwanted operation.

- full flow
- optimum sealing due to compensating "O" rings
- excellent resistance to scaling due to ball seal configuration

maximum working pressure	40 bar 4 MPa 580 psi
working temperature	-20 to 80 °C -4 to 176 °F 253 to 353 °K
body	NICKEL PLATED BRASS
retaining nut	NICKEL PLATED BRASS
stem	BRASS
stem seal	NBR
'O'-rings	NBR
ball seal	NBR
handle	ZAMAK
lockable plate	ZINC-PLATED STEEL

Part No	C	E (mm)	F (mm)	F1 (mm)	H (mm)	H1 (mm)	L (mm)	L1 (mm)	M (mm)	ØT (mm)
LE-0439 07 13	G1/4	12	24	24	60	55	59	31	69	2
LE-0439 10 17	G3/8	12	24	24	60	55	59	31	69	2
LE-0439 13 21	G1/2	15	27	27	62	57	67	34	69	2
LE-0439 18 27	G3/4	16.5	32	38	66	56	80	39	108	2.5
LE-0439 23 34	G1	19	41	46	70	59	94	47	108	3