

# Toggle Clamps

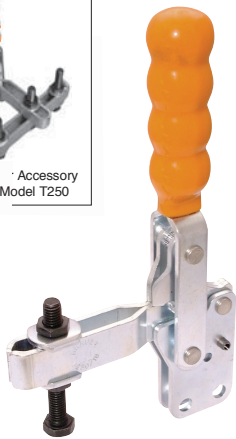


## Vertical Manual Clamp, Flanged Base, Fixed Arm, Neoprene Cover

### BR-V250/1B



Accessory order Model T250



**Arm:**  
The spindle position is adjustable along the arm.

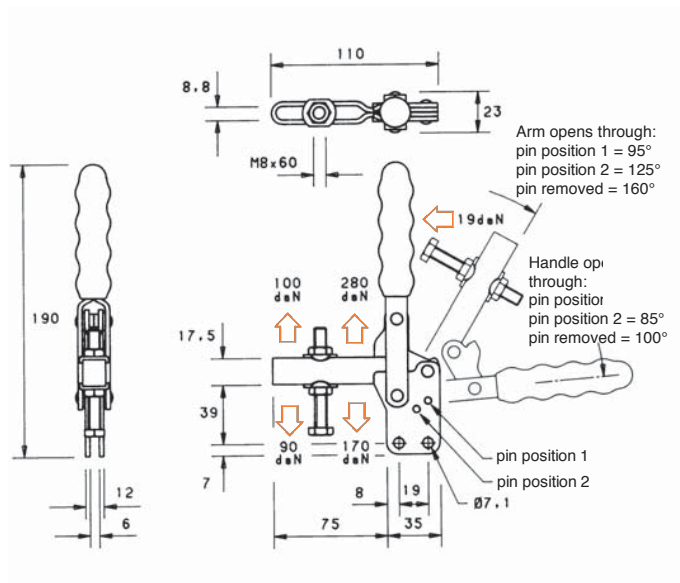
**Base:**  
Straight.

**Nominal Holding Force:**  
250 daN

**Weight:**  
0.38 Kg

**Supplied complete with:**  
MB0860 Setscrew & nuts.  
FW08/15 Flanged washers.

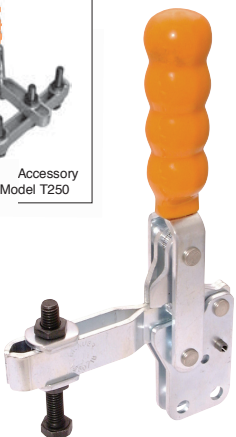
See "Accessories" for other items.



### BR-V300/1B



Accessory order Model T250



**Arm:**  
The spindle position is adjustable along the arm.

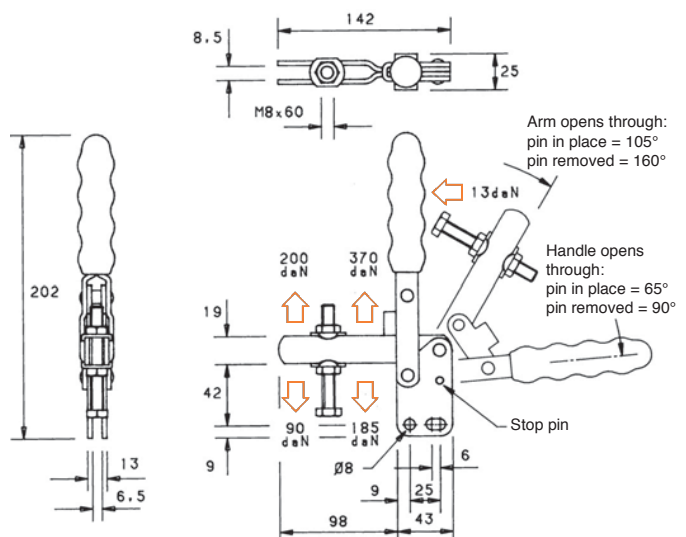
**Base:**  
Straight.

**Nominal Holding Force:**  
300 daN

**Weight:**  
0.48 Kg

**Supplied complete with:**  
MB0860 Setscrew & nuts.  
FW08/15 Flanged washers.

See "Accessories" for other items.



# Toggle Clamps

## Vertical Manual Clamp, Flanged Base, Fixed Arm, Neoprene Cover

BR-V350/1B



\* Bar Accessory  
order Model T350

**Arm:**  
The spindle position is adjustable long the arm.

**Base:**  
Straight.

**Nominal Holding Force:**  
350 daN

**Weight:**  
0.80 Kg

**Supplied complete with:**  
MB1080 Setscrew & nuts.  
FW10/20 Flanged washers.

See "Accessories" for other items.

