

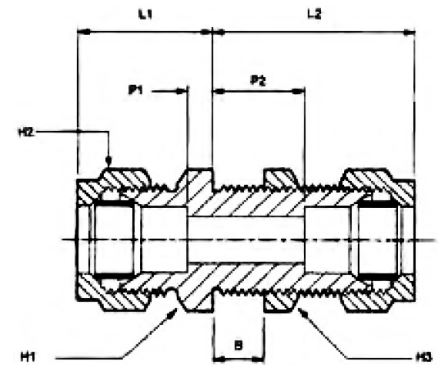
Equal Ended Bulkhead Coupling, Imperial

Wade



Features & Benefits

- In-line configuration
- Enables connection of two tubes of the same outside diameter
- Designed to connect tubes on either side of a bulkhead panel
- Provided with a simple locknut mechanism, the fitting can be secured and locked in place through the panel



Part No	Tube O.D	L1 Length	L2 Length	H1 Hex A/F	H2 Hex A/F	H3 Hex A/F	P1 Abutment	P2 Abutment	B Max Bulkhead	Bulkhead Hole Dia
WADE-1040/L4	1/8"	0.625"	0.906"	0.445"	0.445"	0.525"	0.156"	0.437"	1/4"	0.391"
WADE-1041/L6	3/16"	0.625"	1.093"	0.445"	0.445"	0.525"	0.156"	0.625"	3/8"	0.391"
WADE-1043/L3	1/4"	0.718"	0.937"	0.601"	0.601"	0.710"	0.156"	0.375"	3/16"	0.531"
WADE-1043/L10	1/4"	0.718"	1.125"	0.601"	0.601"	0.710"	0.156"	0.812"	5/8"	0.531"
WADE-1045/L3	5/16"	0.718"	0.937"	0.601"	0.601"	0.710"	0.156"	0.375"	3/16"	0.531"
WADE-1045/L6	5/16"	0.718"	1.125"	0.601"	0.601"	0.710"	0.156"	0.562"	3/8"	0.531"
WADE-1048/L6	5/16"	0.960"	1.218"	0.820"	0.820"	0.820"	0.187"	0.562"	3/8"	0.531"
WADE-1048/L12	3/8"	0.960"	1.718"	0.820"	0.820"	0.820"	0.187"	1.062"	3/4"	0.672"
WADE-1051/L8	1/2"	0.906"	1.406"	1.010"	0.920"	1.010"	0.125"	0.625"	1/2"	0.844"
WADE-1051/L12	1/2"	0.906"	1.656"	1.010"	0.920"	1.010"	0.125"	0.875"	3/4"	0.844"