

9mm L-band Worm-drive Hose Clip

MIKALOR

Thanks to the exclusive design of the housing, the ASFA-L W5 hose clip has excellent performance while being at the same time very compact. The cold-formed stamped band thread, smoothed on the underside, combined with bevelled band-edges protects the hose from damage.

The ASFA-L W5 hose clip complies fully with the DIN 3017 norm and also with the RoHs directive EU 20032/95/EC dated 1st July 2006.

This clip is ideally for use in the petrochemical, foodstuffs and marine industry due to the outstanding corrosion resistance offered by the use of AISI-316 stainless steel in its manufacture



ASFA 'L' W5 Worm-Drive Clip (9mm bandwidth)

Asfa-L W5 Hose Clip (9 mm bandwidth)

Information	Ø Application mm	Reference W5	L max.	s ± 0,05	h max.	a ± 0,3 0,2	b max.	Max. Values* Torque (Nm)	Max. Values* Pressure (Bars)	Box Quantity	Packing
Thanks to the exclusive design of the housing, the ASFA-L W5 hose clip has excellent performance while being at the same time very compact. The cold-formed stamped band thread, smoothed on the underside, combined with beveled band-edges protects the hose from damage. The ASFA-L W5 hose clip complies fully with the DIN 3017 norm and also with the RoHs directive EU 20032/95/EC dated 1st July 2006. This clip is ideally for use in the petrochemical, foodstuffs and marine industry due to the outstanding corrosion resistance offered by the use of AISI-316 stainless steel in its manufacture	8-16	0301575-9	22,1	0,6	10	9	14	3,0	45	200	800
	12-22	0301576-7	22,1	0,6	10	9	14	3,0	45	200	800
	16-27	0301772-0	23,6	0,7	10	9	14	3,5	42	200	800
	20-32	0301750-0	23,6	0,7	10	9	14	3,5	36	200	800
	25-40	0301751-9	25,6	0,7	10	9	14	4,0	32	100	800
	30-45	0301773-8	25,6	0,7	10	9	14	4,0	28	100	800
	32-50	0301752-7	25,6	0,7	10	9	14	4,0	24	100	800
	40-60	0301753-5	25,6	0,7	10	9	14	4,0	19	100	400
	50-70	0301754-3	29,6	0,7	10	9	14	4,0	17	100	100
	60-80	0301755-1	29,6	0,7	10	9	14	4,0	15	100	100
	70-90	0301756-0	29,6	0,7	10	9	14	4,0	13	50	400
	80-100	0301757-8	29,6	0,7	10	9	14	4,0	11	50	400
	90-110	0301758-6	29,6	0,7	10	9	14	4,0	10	25	200
	100-120	0301759-4	29,6	0,7	10	9	14	4,0	9	25	200
	110-130	0301760-7	29,6	0,7	10	9	14	4,0	8	25	25
	120-140	0301761-5	29,6	0,7	10	9	14	4,0	7	25	25
	130-150	0301762-3	29,6	0,7	10	9	14	4,0	6	25	25
140-160	0301763-1	29,6	0,7	10	9	14	4,0	5	25	25	
		0301764-0									
		0301765-8									
		0301766-6									
		0301767-4									
		0301768-2									
		0301769-0									
		0301770-3									
		0301771-1									

*The maximum application pressure can vary depending on the type of hose used and the geometry of the coupling.

Patented Worldwide

MISSING INFO

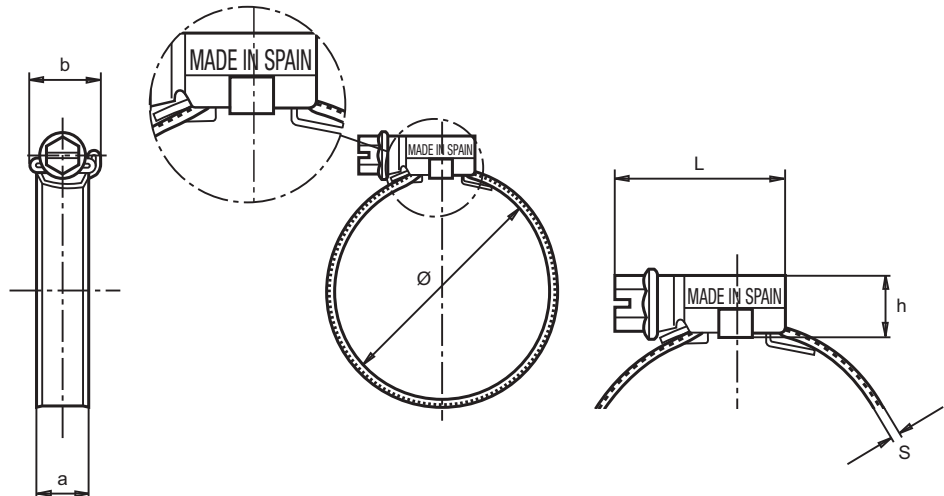
W5 Materials

Screw:

AISI-316 Cu
Stainless steel (A4)

Band and Housing:

X5CrNiMo 17.12.2
Stainless steel
(DIN 1.4401)
(AISI-316) (A4)



* The maximum application pressure can vary depending on the type of hose used and the geometry of the coupling. Patented Worldwide.