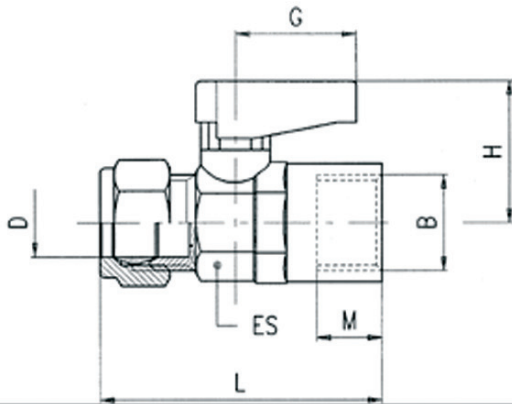


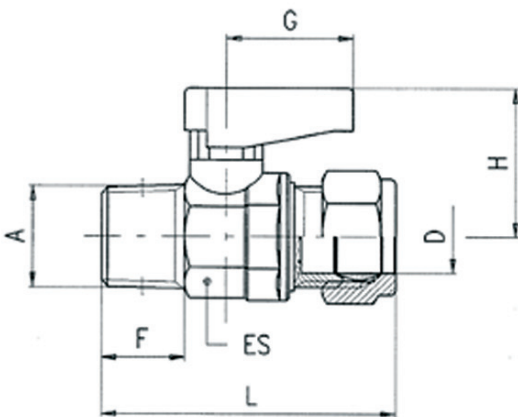


RAIGNEP



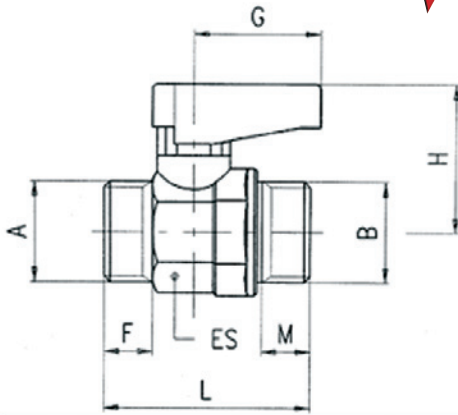
6340 - VALVE TUBE - FEMALE RP ISO 7 (standard handle-red plate)

D	B	D.N.	ES	M	L	G	H	Conf./Pack	Draw
6	1/8	5,5	14-15	7,4	41,5	19	21	25	Download (1.14 MB)
8	1/8	5,5	14-15	7,4	43	19	21	25	Download (1.06 MB)
8	1/4	5,5	14-15	11	46	19	21	25	Download (994.34 KB)
10	3/8	8	18-19	11,4	50,5	19	22	10	Download (1.18 MB)
12	3/8	8	18-19	11,4	51,5	19	22	10	Download (1.32 MB)
14	1/2	10	22-23	15	61,5	26	30,5	10	Download (1.13 MB)
15	1/2	10	22-23	15	61,5	26	30,5	10	Download (1.14 MB)
16	3/4	14	28-30	16,3	68	26	33	5	Download (740.27 KB)
18	3/4	14	28-30	16,3	68	26	33	5	Download (737.10 KB)

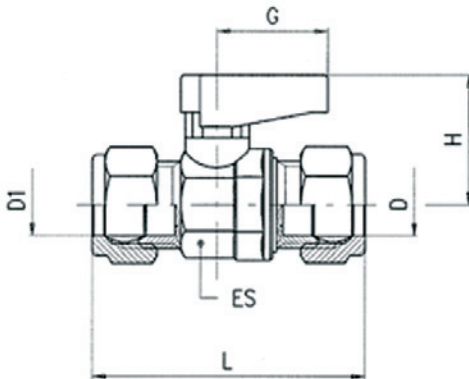


6350 - VALVE TAPER MALE R ISO 7 - TUBE (standard handle-red plate)

A	D	D.N.	ES	F	L	G	H	Conf./Pack	Draw
1/8	6	5,5	14-15	7,4	40,5	19	21	25	Download (1.14 MB)
1/8	8	5,5	14-15	7,4	41,5	19	21	25	Download (1.11 MB)
1/4	6	5,5	14-15	11	46	19	21	25	Download (1.08 MB)
1/4	8	5,5	14-15	11	45	19	21	25	Download (1.08 MB)
3/8	10	8	18-19	11,4	50,5	19	22	10	Download (1.29 MB)
3/8	12	8	18-19	11,4	51,5	19	22	10	Download (1.43 MB)
1/2	14	10	22-23	15	59,5	26	30,5	10	Download (1.41 MB)
1/2	15	10	22-23	15	59,5	26	30,5	10	Download (1.43 MB)
3/4	16	14	28-30	16,3	67	26	33	5	Download (777.85 KB)
3/4	18	14	28-30	16,3	67	26	33	5	Download (777.89 KB)


6420 - VALVE PARALLEL MALE GA ISO 228 - PARALLEL MALE GA ISO 228(standard handle-red plate)

A	B	D.N.	ES	F	M	L	G	H	Conf./Pack	Draw
1/8	1/8	5,5	14-15	7	7	32	19	21	25	Download (726.46 KB)
1/8	1/4	5,5	14-15	7	8	32	19	21	25	Download (687.22 KB)
1/4	1/4	5,5	14-15	8	8	33	19	21	25	Download (633.92 KB)
3/8	1/4	5,5	14-15	9	8	33	19	21	25	Download (648.36 KB)
3/8	3/8	8	18-19	9	9	37	19	22	10	Download (964.73 KB)
1/2	3/8	8	18-19	10	9	37	19	22	10	Download (1.08 MB)
1/2	1/2	10	22-23	10	10	42	26	30,5	10	Download (1.11 MB)
3/4	1/2	10	22-23	12	10	42	26	30,5	10	Download (1.20 MB)
3/4	3/4	14	28-30	12	12	49	26	33	5	Download (809.00 KB)


6450 - VALVE TUBE - TUBE(standard handle-red plate)

D1	D	D.N.	ES	L	G	H	Conf./Pack	Draw
6	6	5,5	14-15	46	19	21	25	Download (1.55 MB)
6	8	5,5	14-15	48	19	21	25	Download (1.54 MB)
8	8	5,5	14-15	48	19	21	25	Download (1.47 MB)
10	8	5,5	14-15	51	19	21	25	Download (1.39 MB)
10	10	8	18-19	55	19	22	10	Download (1.58 MB)
10	12	8	18-19	56	19	22	10	Download (1.70 MB)
12	12	8	18-19	57	19	22	10	Download (1.84 MB)
14	10	8	18-19	59.5	19	22	10	Download (1.67 MB)
14	12	8	18-19	60.5	19	22	10	Download (1.78 MB)
15	10	8	18-19	59.5	19	22	10	Download (1.68 MB)
15	12	8	18-19	60.5	19	22	10	Download (1.80 MB)
14	14	10	22-23	63	26	30,5	10	Download (1.70 MB)
15	14	10	22-23	63	26	30,5	10	Download (1.72 MB)
15	15	10	22-23	63	26	30,5	10	Download (1.75 MB)
16	14	10	22-23	68	26	30,5	10	Download (1.57 MB)
16	15	10	22-23	68	26	30,5	10	Download (1.58 MB)
18	14	10	22-23	68	26	30,5	10	Download (1.57 MB)
18	15	10	22-23	68	26	30,5	10	Download (1.60 MB)
18	16	14	28-30	71	26	33	5	Download (837.13 KB)
18	18	14	28-30	71	26	33	5	Download (836.72 KB)