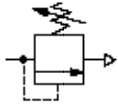


Air line equipment

Olympian Plus plug-in system

V64H, V68H Pressure relief valves

G¹/₄ to G¹/₂



Olympian relief valves protect compressed air systems from over-pressurisation

High relief capacity, sensitive and accurate

Threaded relief port for silencer or piped exhaust.

Norgren pressure relief valves comply with category 0(S.E.P.) and category 1 of the Pressure Equipment Directive 97/23/EC. If categories 2, 3 or 4 products are required contact our Technical Services.



V64H



V68H

Technical data

Medium:

Compressed air only

Gauge ports:

G¹/₈

Relief port:

G¹/₂ (V64H), G1 (V68H)

Ambient temperature:

-20°C to +80°C.

Consult our Technical Service for use below +2°C

Materials

V64H Series:

Body, bonnet & yoke: zinc alloy

Bottom plug: aluminium

Adjusting screw: steel

Elastomers: synthetic rubber

V68H Series:

Body, intermediate body, bonnet,

bottom plug & yoke: aluminium

Adjusting screw: steel

Elastomers: synthetic rubber

Port size	kg	Model	Service kit
G ¹ / ₄	1,68	V64H-2GD-RMN	4384-200
G ³ / ₈	1,66	V64H-3GD-RMN	4384-200
G ¹ / ₂	1,63	V64H-4GD-RMN	4384-200
G ³ / ₄	1,99	V64H-6GD-RMN	4384-200
G ³ / ₄	2,21	V68H-6GD-RMN	4384-300
G1	2,20	V68H-8GD-RMN	4384-300
G ¹ / ₄	2,22	V68H-AGD-RMN	4384-300
G ¹ / ₂	2,26	V68H-BGD-RMN	4384-300

Options selector

V64H-★ ★ ★ -R ★ ★

Port size	Substitute	Gauge	Substitute
1/4"	2	With	G
3/8"	3	Without	N
1/2"	4		
3/4"	6		
Threads	Substitute	Outlet pressure adjustment range*	Substitute
PTF	A	0,3 ... 4 bar	F
ISO Rc taper	B	1 ... 10 bar	M
ISO G parallel	G	0,7 ... 17 bar	S
Adjustment	Substitute		
Slotted screw	D		

*Relief valve can be adjusted to pressures in excess of, and less than, those specified. Do not use these units to control pressures outside of the specified ranges.

V68H-★ ★ ★ -R ★ ★

Port size	Substitute	Gauge	Substitute
3/4"	6	With	G
1	8	Without	N
1 1/4	A		
1 1/2	B		
Threads	Substitute	Outlet pressure adjustment range*	Substitute
PTF	A	0,3 ... 4 bar	F
ISO Rc taper	B	1 ... 10 bar	M
ISO G parallel	G	0,7 ... 17 bar	S
Adjustment	Substitute		
Slotted screw	D		





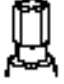

*Relief valve can be adjusted to pressures in excess of, and less than, those specified. Do not use these units to control pressures outside of the specified ranges.

Olympian Plus plug-in system

V64H, V68H Pressure relief valves

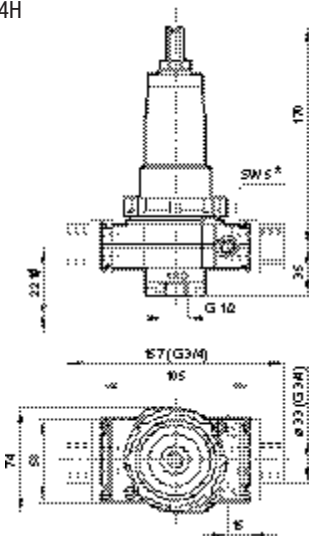
G $\frac{1}{4}$ to G $1\frac{1}{2}$

Accessories

Series	Port size	Bracket kit	Bracket kit	Gauge 0 ... 10 bar*	Silencer	Tamper resistant cap	3/2 Shut-off valve
							
V64H	G $\frac{1}{4}$		74504-50	18-013-013	MB004B	1581-90	T64T-2GB-P1N
	G $\frac{3}{8}$		74504-50	18-013-013	MB004B	1581-90	T64T-3GB-P1N
	G $\frac{1}{2}$		74504-50	18-013-013	MB004B	1581-90	T64T-4GB-P1N
	G $\frac{3}{4}$		74504-50	18-013-013	MB004B	1581-90	T64T-6GB-P1N
V68H	G $\frac{3}{4}$	18-001-979		18-013-013	MB008B	1581-90	T68C-6GB-B2N
	G1	18-001-979		18-013-013	MB008B	1581-90	T68C-8GB-B2N
	G $1\frac{1}{4}$	18-001-978		18-013-013	MB008B	1581-90	T68C-AGB-B2N
	G $1\frac{1}{2}$	—		18-013-013	MB008B	1581-90	T68C-BGB-B2N

* Other pressure ranges available – see page 486

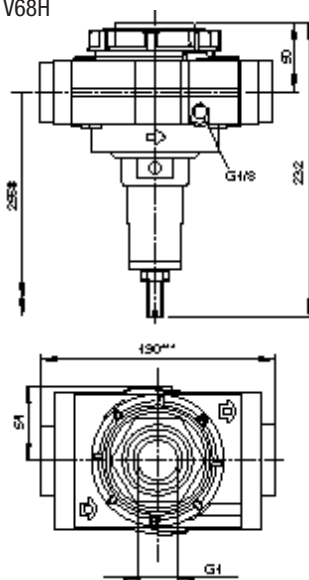
V64H



* Gauge port Rc $\frac{1}{8}$

Minimum clearance required to remove unit from yoke

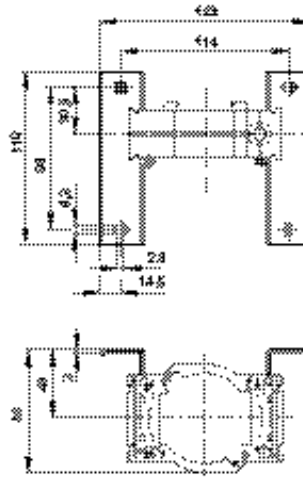
V68H



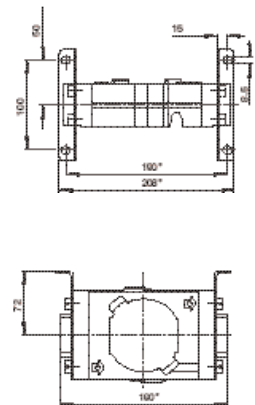
Minimum clearance required to remove unit from yoke

*** For 1 $\frac{1}{4}$ " and 1 $\frac{1}{2}$ " ported yokes add 10 mm

Bracket mounting (V64H)

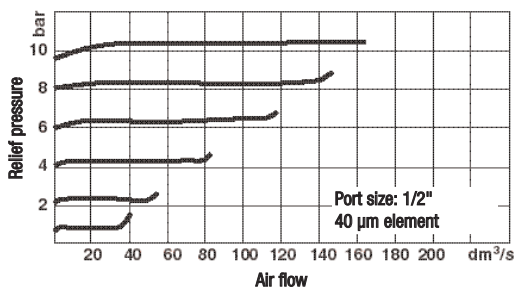


Bracket mounting (68H)

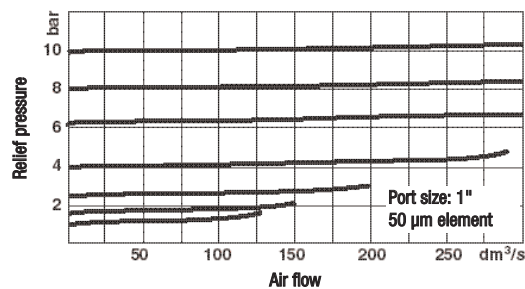


Flow characteristics

V64H



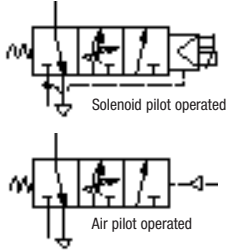
V68



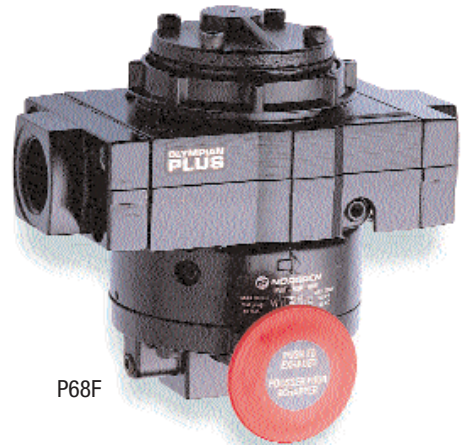
Olympian Plus plug-in system

P64F, P68F Soft start/dump valves

G¼ to G1½



P64F



P68F

Assists machine designers in complying with the European Machinery Directive

Can help existing machinery to comply with PWER (Provision and Use of Work Equipment Regulations)

Controlled increase of downstream pressure on start up

Solenoid, air pilot or manual operator.

High forward flow capacity

High flow dump facility

Technical data

Medium:

Compressed air

Maximum operating pressure:

For solenoid operated versions: 10 bar
For pilot operated versions: 17 bar

Minimum operating pressure:

3 bar

Ambient temperature:

Solenoid operated versions: +5°C to +50°C
Pilot operated versions: -20°C to +80°C.

Consult our Technical Service for use below +2°C

Air pilot port:

P64F Rc1/4

P68F G1/4

Exhaust port:

P64F G1/2

P68F G1

Maximum flow:

P64F – 57dm³/s

P68F – 147dm³/s

Note: Maximum flow with 6,3 bar inlet pressure and pressure drop of 0,5 bar

Snap pressure:

Full flow when downstream pressure reaches 50-80% of inlet pressure.

Port size	Solenoid operated model	kg	Air pilot operated model	kg	Service kit
G1/4	P64F-2GC-PFN	2,07	P64F-2GA-NNN	1,96	**
G3/8	P64F-3GC-PFN	2,05	P64F-3GA-NNN	1,94	**
G1/2	P64F-4GC-PFN	2,02	P64F-4GA-NNN	1,91	**
G3/4	P64F-6GC-PFN	2,38	P64F-6GA-NNN	2,27	**
G3/4	P68F-6GH-NPN	2,95	P68F-6GB-NNN	2,77	**
G1	P68F-8GH-NPN	2,93	P68F-8GB-NNN	2,75	**
G1¼	P68F-AGH-NPN	2,90	P68F-AGB-NNN	2,72	**
G1½	P68F-BGH-NPN	2,92	P68F-BGB-NNN	2,74	**

*Solenoid operated models are supplied with 24 V d.c. solenoids but without connector plugs. To select alternative voltages and other options refer to the Options selector below. For connector plugs see next page

** Factory repair only.

For replacement soft start/dump valve, without yoke substitute 'NN' at 5th and 6th digit eg. P64F-MNC-PFN.

For replacement soft start/dump valve without yoke substitute 'N' at 5th digit, e.g. P68F-NGH-NPN

P68F models supplied with manual lockout as standard.

Options selector

P6★F-★-★-★-★-★-★

Series	Substitute
64	4
68	8

Port size	Substitute
1/4*	2
3/8*	3
1/2*	4
3/4	6
1**	8
1¼**	A
1½**	B

* 64 series only ** 68 series only

Threads	Substitute
PTF	A
ISO Rc taper	B
ISO G parallel	G

Connectors	Substitute
3 pin plug with cable gland, no indicator	A
Without	N

P64F (22 mm solenoid)

Coil voltage	Nominal power rating	Substitute
24 V d.c.	2 W	F
12 V d.c.	2 W	E
6 V d.c.	2 W	D
220/240 V, 50/60 Hz	4/2,5 V A	B
110/120 V, 50/60 Hz	4/2,5 V A	A
No coil	2 W	Z
No solenoid	-	N

P68F (32 mm solenoid)

Coil voltage	Nominal power rating	Substitute
24 V d.c.	4,5 W	P
12 V d.c.	4,5 W	Q
6 V d.c.	4,5 W	M
220/240 V, 50/60 Hz	14/10 V A	K
110/120 V, 50/60 Hz	14/10 V A	J
No solenoid	-	N

Solenoid manual operator	Substitute
Shrouded push button	P
None	N

Operator	Substitute
Air pilot	A
Air pilot with manual lockout	B
22 mm miniature solenoid	C
22 mm miniature solenoid with manual lockout	D
32 mm solenoid	G*
32 mm solenoid with manual lockout	H*
CNOMO solenoid	L
CNOMO solenoid with manual lockout	M
Direct ported bottom plate	N*

*P68F only

Materials

P64F:

Body & yoke: zinc alloy

Intermediate body: aluminium

Top plate: zinc

P68F:

Body & yoke: aluminium

Intermediate body & top plate: aluminium

Elastomers: synthetic materials

Filter discs: sintered plastic







Internal components: brass/steel

Olympian Plus plug-in system

P64F, P68F Soft start/dump valves

G $\frac{1}{4}$ to G $\frac{1}{2}$

Accessories

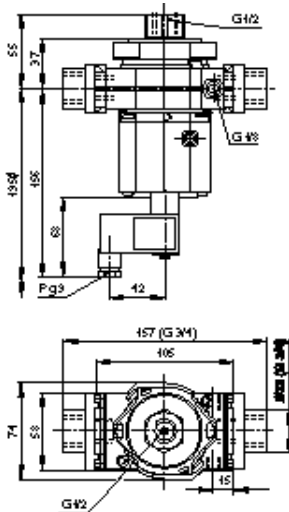
Series	Port size	Bracket kit	Bracket kit	3/2 Shut-off valve	Manual shut-off with lockout	Exhaust port silencer	Connector plug with cable gland **		
									
P64F	G $\frac{1}{4}$	74504-50	-	T64T-2GB-P1N	-	MB004B	M/P24121/1*	10-50 V a.c./d.c.	Indicator type
	G $\frac{3}{8}$	74504-50	-	T64T-3GB-P1N	Factory fit option only.	MB004B	M/P24121/2	70-110 V a.c.	Indicator type
	G $\frac{1}{2}$	74504-50	-	T64T-4GB-P1N	See Options selector	MB004B	M/P19063	-	No indicator
	G $\frac{3}{4}$	74504-50	-	T64T-6GB-P1N	-	MB004B	-	-	-
P68F	G $\frac{3}{4}$	-	18-001-979	T68C-6GB-B2N	Standard	MB008B	M/P24120/1	10-50 V a.c./d.c.	Indicator type
	G1	-	18-001-979	T68C-8GB-B2N	Standard	MB008B	M/P24120/2	70-115 V a.c./d.c.	Indicator type
	G $\frac{1}{2}$	-	18-001-978	T68C-AGB-B2N	Standard	MB008B	M/P15737	-	No indicator
	G $\frac{1}{4}$	-	-	T68C-BGB-B2N	Standard	MB008B	-	-	-

* Reduced light intensity at 12 V.

** Refer to page 383 for other solenoid plugs

P64F

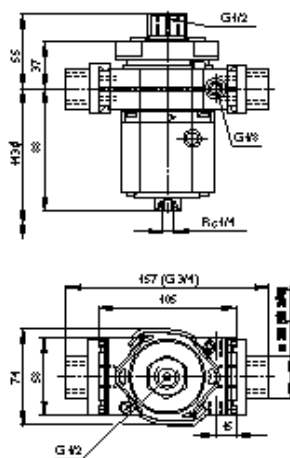
Solenoid operated



* Gauge port Rc $\frac{1}{8}$

Minimum clearance to remove unit.

Air pilot operated

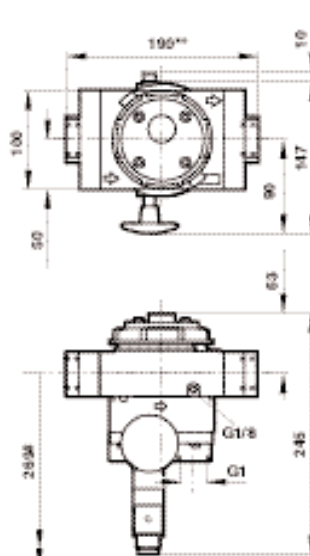


* Gauge port Rc $\frac{1}{8}$

Minimum clearance to remove unit.

P68F

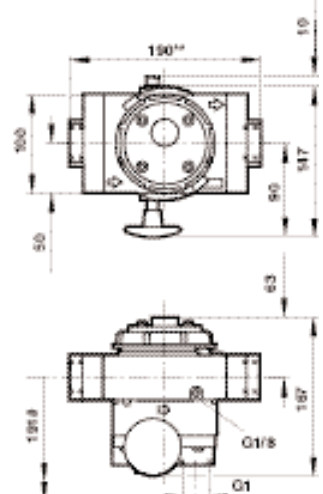
Solenoid operated plus manual shut-off with lockout



** 200 mm for 1/4 and 1/2 models.

Minimum clearance to remove unit.

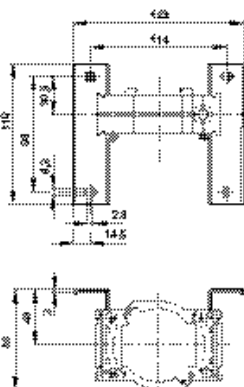
Air pilot operated plus manual shut-off with lockout



** 200 mm for 1/4 and 1/2 models.

Minimum clearance to remove unit.

Bracket mounting (P64F)



Bracket mounting (P68F)

