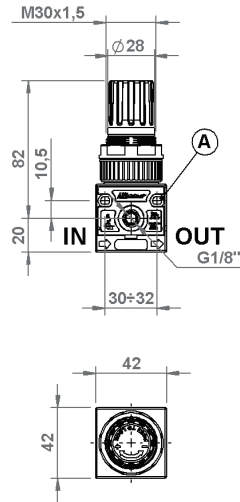
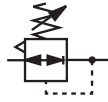
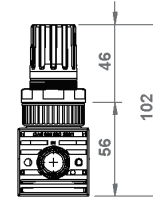


# Regulator

## 042 1/4"

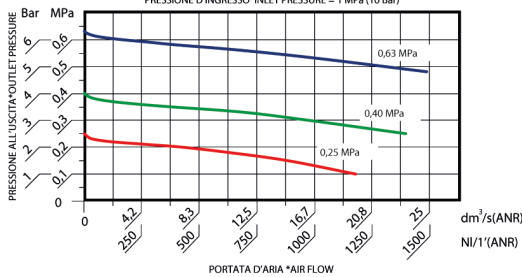


Ⓐ FORI DI FISSAGGIO Ø4,5  
FIXING HOLES Ø4,5



CURVE DI PORTATA\*FLOW CHARTS

PRESSIONE D'INGRESSO\*INLET PRESSURE = 1 MPa (10 Bar)

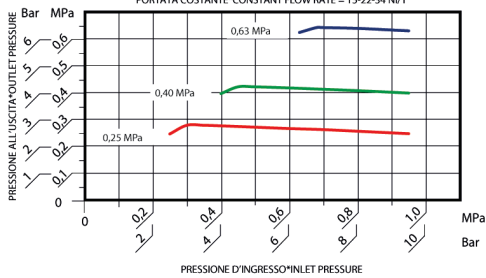


# Regulator

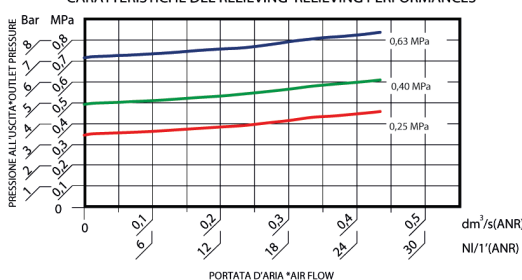
- \* Sensitive high performance model with, high stability with low load losses and big flow rate.
- \* Can be wall mounted using the relative holes or a bracket.
- \* Lockable safety knob.
- \* Built-in overpressure relieving function.
- \* Pressure ranges:  
0÷4 Bar, 0÷8 Bar (standard), 0÷12,5 Bar
- \* Maximum inlet pressure: 16,0 Bar (1,60 MPa).
- \* Max. ambient temperature (at 10 bar) 50 °C (122 °F).
- \* Gauge connection: G1/8".
- \* Max. torque inserts G1/4" IN-OUT: 25 Nm.
- \* Max torque gauge port: 1 Nm.
- \* Reference flow rate (P=6,3 Bar - Δp=1 Bar): 850 NI/min.
- \* Weight: 0,125 Kg.
- \* Product complies with Directive 2002/95/CE (RoHS).

CARATTERISTICHE DI REGOLAZIONE\*REGULATION FEATURES

PORTATA COSTANTE\*CONSTANT FLOW RATE = 15-22-34 NI/1'



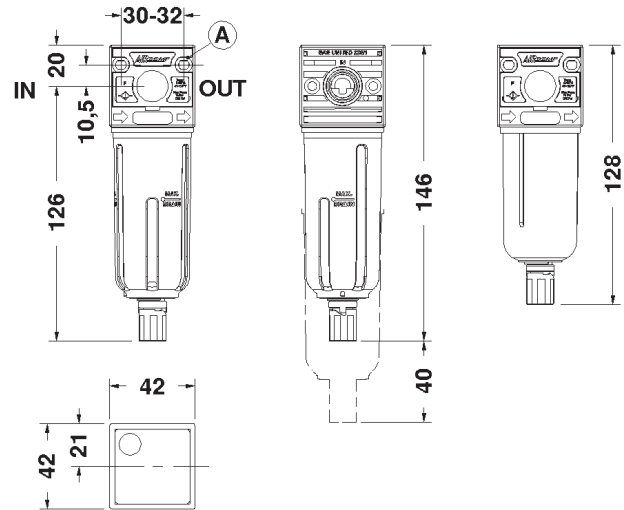
CARATTERISTICHE DEL RELIEVING\*RELIEVING PERFORMANCES



# Regulator 042 1/4"

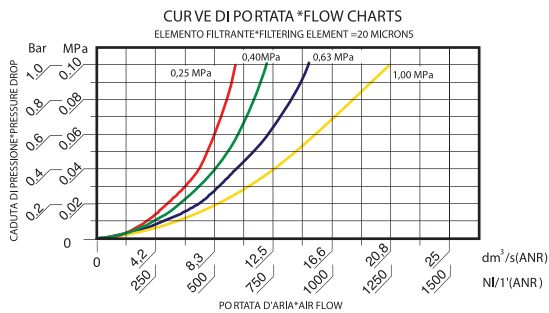


Ⓐ FORI DI FISSAGGIO Ø4.5  
FIXING HOLES Ø4.5



Versione PE e TT  
PE and TT version

Versione TC  
TC version



## Filter

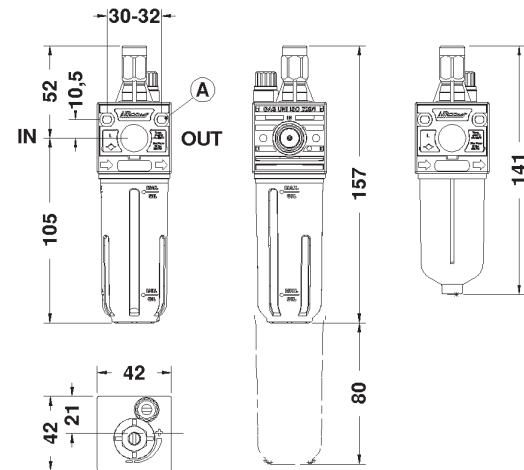
- \* High level of condensate separation.
- \* Low pressure drop.
- \* Can be wall mounted using the relative holes.
- \* Filtering degree: 5 micron and 20 micron (standard).
- \* Integrated manual and semiautomatic condensate drainage (SS) or "SA" and "SAD" automatic versions (for more information see page 81).
- \* Bowl available in three configurations: transparent toughened polyamide or with outer bowl guard or short transparent version.
- \* Collected quantity of condensate: TT and PE version 22 cc, TC version 15 cc.
- \* Maximum operating pressure: 16,0 Bar (1,60 MPa).
- \* Max. ambient temperature (at 10 bar) 50 °C (122 °F).
- \* Max. torque inserts G1/4" IN-OUT: 25 N·m.
- \* Reference flow rate (P=10 Bar - Δp=1 Bar): 1250 NI/min.
- \* Weight: 0,095 Kg.
- \* Product complies with Directive 2002/95/CE (RoHS).

# Lubricator

## 042 1/4"



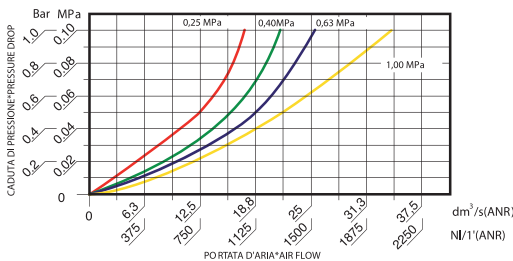
FORI DI FISSAGGIO Ø4.5  
FIXING HOLES Ø4.5



Versione PE e TT  
PE and TT version

Versione TC  
TC version

CURVE DI PORTATA \*FLOW CHARTS



MINIMUM OPERATING FLOW

Inlet Pressure			Minimum Air Flow		
Psi	MPa	Bar	dm <sup>3</sup> /s (ANR)	NI/1' (ANR)	SCFM
36	0,25	2,50	0,36	22	0.77
58	0,40	4,00	0,43	26	0.92
91	0,63	6,30	0,50	30	1.05

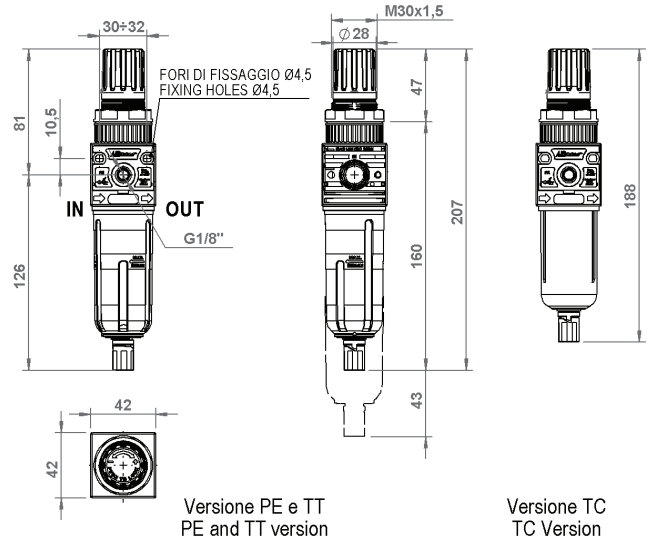
# Lubricator

Proportional oil mist type.

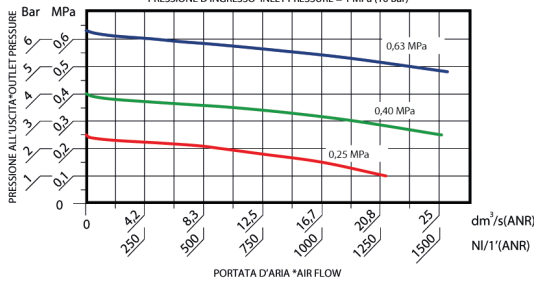
- \* Constantly steady delivery.
- \* Suction ensured even with low flow rates.
- \* Sensitive lubricant flow adjustment.
- \* 360° drip display.
- \* Oil fill plug.
- \* Can be wall mounted using the relative holes.
- \* Bowl available in three configurations: transparent toughened polyamide (TT) or with outer bowl guard (PE) and short transparent version (TC).
- \* Bowl capacity: TT and PE version 42cc, TC version 32cc.
- \* Recommended oil viscosity ISO VG32.
- \* Maximum operating pressure: 16,0 Bar (1,60 MPa).
- \* Max. ambient temperature (at 10 bar) 50°C (122°F).
- \* Max. torque inserts G1/4" IN-OUT: 25 N·m.
- \* Reference flow rate (P=10 Bar - Δp=1 Bar): 2060 NI/min.
- \* Weight: 0,095 Kg.
- \* Product complies with Directive 2002/95/CE (RoHS).

# Filter Regulator

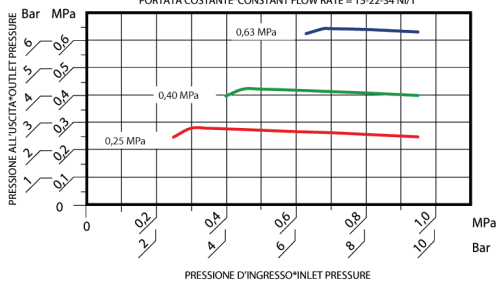
## 042 1/4"



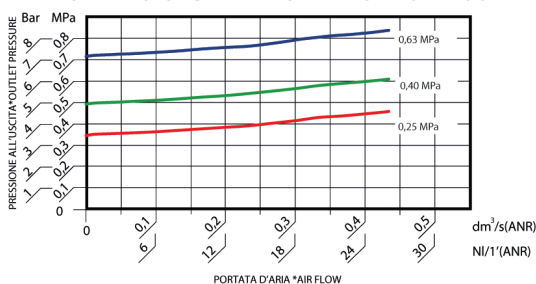
CURVE DI PORTATA\*FLOW CHARTS  
PRESSIONE D'INGRESSO\*INLET PRESSURE = 1 MPa (10 Bar)



CARATTERISTICHE DI REGOLAZIONE\*REGULATION FEATURES  
PORTATA COSTANTE\*CONSTANT FLOW RATE = 15-22-34 NI/1'



CARATTERISTICHE DEL RELIEVING\*RELIEVING PERFORMANCES



## Filter regulator

- \* Sensitive high performance model, high stability with low load losses and
- \* Can be wall mounted using the relative holes or on brackets.
- \* Lockable safety knob.
- \* Built-in overpressure relieving function.
- \* Pressure ranges: 0÷4 Bar, 0÷8 Bar (standard), 0÷12,5 Bar
- \* Filtering degree: 5 micron and 20 micron (standard).
- \* Integrated manual and semiautomatic condensate drainage (SS) or "SAD" automatic versions.
- \* Bowl available in three configurations: transparent toughened polyar or with outer bowl guard (PE) and short transparent version (TC).
- \* Collected quantity of condensate 22 cc version and TC 15 cc version
- \* Maximum operating pressure 16,0 Bar (1,60 MPa).
- \* Max. ambient temperature (at 10 bar) 50 °C (122 °F).
- \* Max. torque inserts G1/4" IN-OUT: 25 Nm.
- \* Reference flow rate (P=6,3 Bar - Δp=1 Bar): 1200 NI/min.
- \* Weight: 0,160Kg.
- \* Product complies with Directive 2002/95/CE (RoHS).