

Vent Screws with Non-Return Valve

Description

Material, version:

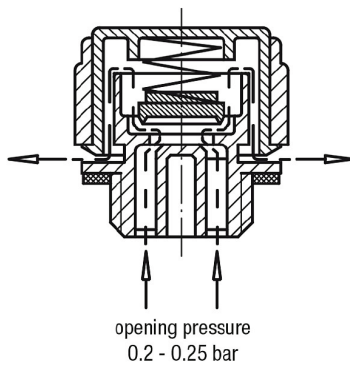
Housing in black thermoplastic polyamide 66;
cap in red thermoplastic polyamide 66;
compression spring in stainless steel;
stop and flat seal rubber (NBR)



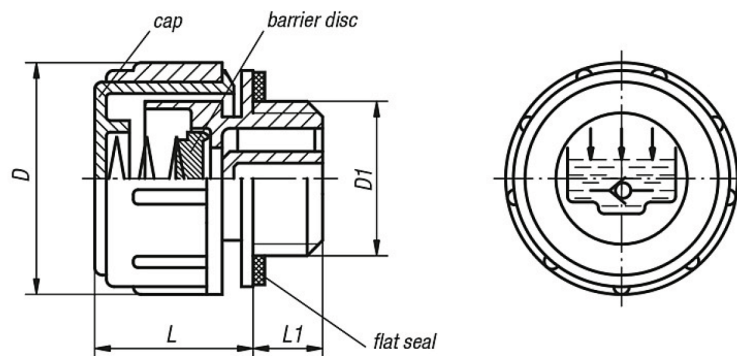
Note:

Temperature resistant with oil up to 100 °C, with water up to 70 °C.
Opening pressure 0.20 - 0.25 bar.

Operating principle



Drawings



Overview of items

Vent screws with non-return valve

Order No.	D	D1	L	L1	Approx. weight kg
K563830014	30	G 1/4	21	10	0,010
K563830038	30	G 3/8	21	10	0,012
K563830012	30	G 1/2	21	10	0,012